

120kW photovoltaic energy storage cabinet for sale



120kW photovoltaic energy storage cabinet for sale



SNADI Integrated PV Energy Storage Cabinet

Dual fire suppression, ATS/STS ensure seamless power switching. ...

[Get Price](#)

Good quality 120kW 120kVA Solar Battery Energy Storage System

With PVMARS solar IoT, through your phone or computer view real-time performance data of your solar system, such as solar panel power generation, battery capacity, etc., and receive timely maintenance and safety ...



[Get Price](#)

FLEXIBLE SETTING OF MULTIPLE WORKING MODES



Advanced Outdoor Energy Cabinet with Built-in Safety , 50kW / 120kWh

This is a DC-coupled or AC-coupled compatible energy storage system. It can be seamlessly integrated with both new and existing commercial solar installations, storing excess solar energy produced during the day ...

[Get Price](#)

120KW Solar Panel Storage System

It consists of solar panels, inverters, batteries, and charge controllers that work together to efficiently store and distribute solar energy. A 120kW Solar Panel Storage System is a high-capacity solar power system that ...

[Get Price](#)



215kWh +120kW High Voltage Integrated Energy Storage Cabinet

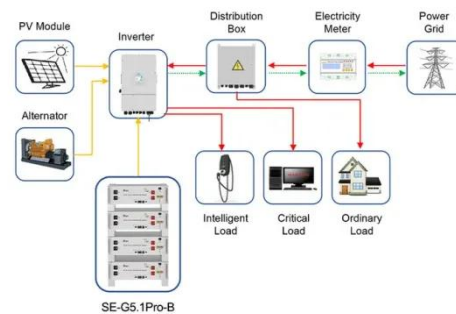
Featuring 215kWh of LiFePO4 storage and a 120kW PCS, this system is engineered for industrial parks and commercial complexes that require high-power energy management.

[Get Price](#)

SNADI Integrated PV Energy Storage Cabinet

Dual fire suppression, ATS/STS ensure seamless power switching. Integrated BMS/PCS/EMS supports diverse applications. DC coupling, full fault protection, low battery cycling, auto current sharing, and fast delivery with ...

[Get Price](#)



Application scenarios of energy storage battery products

LFP Battery Pack , Solar Storage Solution

The 120 kW automatic switching cabinet integrates STS-based control, protection, and monitoring functions to enable safe

and automatic grid-connected and off-grid operation works with energy storage cabinets and ...



[Get Price](#)

120kw All-in-One Solar Inverter Boost Energy Storage Cabinet Outdoor

With over 10 years of experience in energy storage product manufacturing, Juyuan Future has tens of thousands of systems in operation in numerous countries around the world, enabling millions of people to enjoy reliable, ...

[Get Price](#)



VoltaNest Hybrid Grid 120kW 241kWh 240kWh Solar Power Energy ...

As a global leading new energy enterprise, with over 20 years of experience in PV systems, VoltaNest Group provides high-quality energy storage products for residential, commercial, and utility applications.

[Get Price](#)

120KWH Hybrid Energy Storage Cabinet

Advanced Technology: KonJa Energy Storage Cabinets utilize advanced battery technology and energy management systems to ensure efficient energy storage and release.

[Get Price](#)



Solar storage and charging integrated cabinet 172KWh+120KW

Solar storage and charging integrated cabinet 172KWh+120KW-All-In-One with PV, Charger and Energy storage system DC coupling and AC coupling-SHENZHEN iYPOWER CO., LTD.

[Get Price](#)

Contact Us

For catalog requests, pricing, or partnerships, please visit:
<https://k3gizycko.pl>

