

24V inverter changed to 12V



Features and applications:
Energy storage system

Other applications:



24V inverter changed to 12V



How To Get 12 Volts From a 24 Volt System

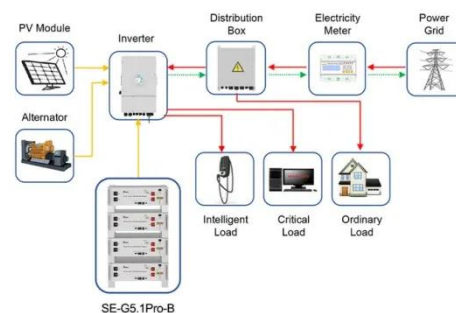
24v to 12v buck converter Functionality: A buck converter is a type of DC-DC converter that steps down voltage from a higher level (24V) to a lower level (12V) while attempting to maintain ...

[Get Price](#)

24V vs. 12V Inverters: Which is the Better Choice?

Application-Specific Needs The choice between 12V and 24V inverters heavily depends on the specific application. For smaller, portable, or vehicle-based applications such as cars, RVs, ...

[Get Price](#)



Application scenarios of energy storage battery products

18650 3.7V
Li-ion
RECHARGEABLE BATTERY
2000mAh



12V vs. 24V vs. 48V Power Inverters: How to Choose the Right

...

When shopping for a power inverter, most beginners fixate on wattage or price--but the input voltage (12V, 24V, or 48V) is just as critical. Pick the wrong voltage, and your inverter won't ...

[Get Price](#)

12V vs 24V inverter

This article introduces how inverter works and compares 12V vs 24V inverter, including the applications, costs, and other differences, also provides a guide on choosing the voltage and ...

[Get Price](#)



How I Successfully Converted 24V to 12V: Expert ...

I tested the 24 to 12V step down converter for efficiency and reliability--perfect for powering 12V devices from a 24V source with ease and safety.

[Get Price](#)

How to Convert an Inverter to 12V Input: A Practical Guide for ...

Summary: Need to adapt your inverter for 12V battery systems? This guide explains step-by-step conversion methods, safety precautions, and compatible equipment. Perfect for solar installers, RV ...

[Get Price](#)



12V vs 24V Inverter: What's The Difference

Torn between 12V and 24V inverters? Discover the key differences in efficiency, cost, and power capacity to

determine which is better for your energy needs.

[Get Price](#)



How to Change a 24V Input Inverter to 12V: A Practical Guide

So, you've got a 24V inverter but need it to work with a 12V system? Whether you're upgrading solar panels or adapting to battery limitations, voltage conversion is more common than you might think. ...

[Get Price](#)



12V vs 24V Inverters Key Differences and Which ...

A 12V inverter is typically more suitable for smaller setups, while a 24V inverter offers enhanced efficiency and is ideal for larger applications.

[Get Price](#)

12V Inverter vs 24V Inverter -- What Is The Difference & Which ...

This article will explore the differences between 12v inverter vs 24v inverter, considering factors such as energy loss,

battery requirements, and suitability for different applications like solar ...

[Get Price](#)



Contact Us

For catalog requests, pricing, or partnerships, please visit:
<https://k3gizycko.pl>

