

5MWh Upgraded Energy Management System for Lead-Acid Battery Cabinet



Battery String-S224

- 1C Charge/Discharge
- Easy configuration and maintenance
- Power supply can be single battery string or parallel battery strings



5MWh Upgraded Energy Management System for Lead-Acid Battery



Datasheet of 5MWh Battery Energy Storage System_en

It uses high-density and long-cycle-life lithium iron phosphate batteries for energy storage. The module has an IP66 protection level, liquid cooling, real-time temperature control, and a multi ...

[Get Price](#)

5MWh Liquid Cooling Battery Container System

Large-scale battery energy storage systems (BESS) stabilize renewable power by capturing surplus generation and delivering it when demand rises. Elektra's utility-scale solutions integrate advanced ...



[Get Price](#)



HyperBlock III , 5MWh Liquid-Cooled BESS -HyperStrong

HyperBlock III, a battery energy storage system integrated with a liquid-cooling system, provides high efficiency and flexibility for the utility-scale. With up to 5MWh battery capacity, HyperBlock III can ...

[Get Price](#)

CRRC releases 5 MWh liquid-cooled energy storage system

From ESS News China-based rolling stock manufacturer CRRC has launched a 5 MWh battery storage system that uses liquid cooling for thermal management.

[Get Price](#)



50KW modular power converter



A review of battery energy storage systems and advanced battery

This review highlights the significance of battery management systems (BMSs) in EVs and renewable energy storage systems, with detailed insights into voltage and current monitoring, ...

[Get Price](#)

1.25MW/5MWh Energy Storage System Technology Project

1.1 System Overview capacity of this energy storage system cooled d equency regulation, design, structure, group, performance, installation, commissioning and test of battery prefabrication ...

[Get Price](#)

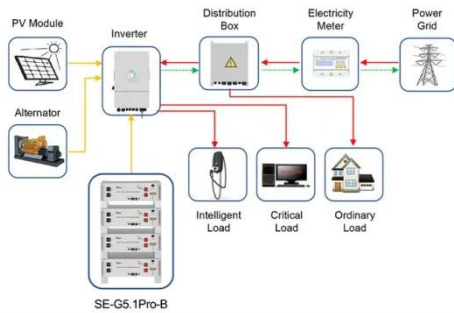


5MWh Battery Storage Container (eTRON BESS)

This is a 45.8% increase in energy density compared to previous 20 foot battery storage systems. The 5MWh BESS comes pre-installed and ready to

be deployed in any energy storage project around the ...

[Get Price](#)



Application scenarios of energy storage battery products

Key aspects of a 5MWh+ energy storage system

More than a month ago, CATL's 5MWh EnerD series liquid-cooled energy storage prefabricated cabin system took the lead in successfully achieving the world's first mass production ...



[Get Price](#)



5MWh battery storage system

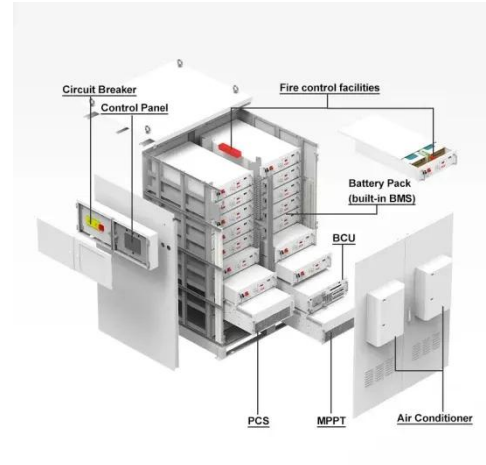
The new 5MWh system is built with high-safety LiFePO4 (lithium iron phosphate) cells, offering long cycle life and high round-trip efficiency. With a modular design, the system can be easily ...

[Get Price](#)

GSL 5MWh Battery Energy Storage System

GSL offers factory-direct 5MWh battery energy storage systems with liquid cooling, competitive 5 MWh battery cost, and global C& I BESS solutions.

[Get Price](#)



Contact Us

For catalog requests, pricing, or partnerships, please visit:
<https://k3gizycko.pl>

