

600kW energy storage cabinet product warranty



Overview

2 years limited warranty for Liquid-cooled unit, Fire suppression system and Lock cylinder. Warranty is voided if the Product is installed within. LG Electronics U. (“LG”) warrants that it will repair or replace defective internal parts (“Part[s]”) of a qualified LG Energy Storage System (each, a “System”) that fail during the warranty period if such parts prove to be defective due to improper materials and / or manufacturing. Let's face it: energy storage equipment warranties can feel like deciphering ancient hieroglyphics. But with battery storage systems becoming the backbone of renewable energy grids, understanding warranty terms isn't optional—it's survival. A 2025 study by ACCURE Battery Intelligence revealed that. The Cummins C600B5ZE provides 300 kW of power and 600 kWh of energy storage in a 20-foot ISO high cube container. Tailored for larger commercial or industrial sites, it enables flexible energy usage through load shifting, grid support, and renewable energy integration. Purpose-built for critical backup and AI compute loads, they.

600kW energy storage cabinet product warranty



Battery Energy Storage System (BESS) , Schneider ...

Schneider Electric USA. Browse our products and documents for Battery Energy Storage System (BESS) - An all-in-one Battery Energy Storage System

[Get Price](#)

Cummins C600B5ZE , 600 kWh Battery Energy Storage System

The Cummins C600B5ZE provides 300 kW of power and 600 kWh of energy storage in a 20-foot ISO high cube container. Tailored for larger commercial or industrial sites, it enables flexible energy ...



[Get Price](#)



LIMITED WARRANTY FOR LG ENERGY STORAGE SYSTEM

This Limited Warranty shall be valid from Septemand shall apply to all Home 8 (RA768K16A1) and SE Box (REA200APO) Energy Storage Systems, installed and used together, ...

[Get Price](#)

GOODWE Limited Warranty for ESA

Energy Storage system

Product warranty: GOODWE warrants, for five (5) years, that the hardware of electronics and enclosure (including all aforementioned Energy Storage system Components) will be free of defects caused by ...

[Get Price](#)



Energy Storage System Product Warranty Conditions

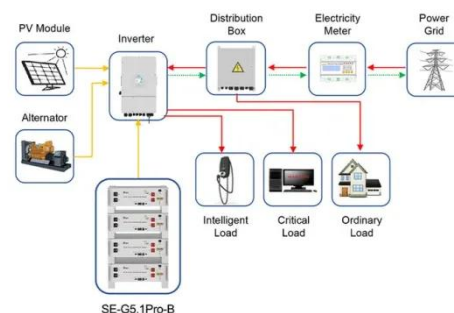
In principle, the warranty period needs to be continuous from the date when the equipment is purchased. Otherwise, the warranty extension package will become invalid.

[Get Price](#)

Photovoltaic energy storage cabinet 600kw product warranty

Our lithium-ion battery storage cabinet can intelligently store and schedule electrical energy, enhance energy efficiency, provide stable backup power, and meet the electricity demands of households,

[Get Price](#)



Application scenarios of energy storage battery products

Vertiv(TM) EnergyCore, Lithium Ion Battery Cabinet

Warranty: Ten-year (10) warranty on battery modules with start date up to 20 weeks after shipment. The Vertiv(TM)



EnergyCore Li5 and Li7 battery systems deliver high-density, lithium-ion energy storage ...

[Get Price](#)

Energy Storage Equipment Warranty: What You Need to Know Before ...

Let's face it: energy storage equipment warranties can feel like deciphering ancient hieroglyphics. But with battery storage systems becoming the backbone of renewable energy grids, ...

[Get Price](#)



Outdoor Battery Energy Storage (Pre-Configured)

The PowerBase is a robust energy storage system on a steel frame with the footprint of a standard ISO 20-foot container. It comes pre-wired and pre-configured to reduce installation cost and delivery time, ...

[Get Price](#)

Contact Us

For catalog requests, pricing, or partnerships, please visit:

<https://k3gizycko.pl>

