

Bulk purchase of 120kW photovoltaic energy storage cabinet



Bulk purchase of 120kW photovoltaic energy storage cabinet



Energy Storage Equipment, Energy storage solutions, Lithium battery

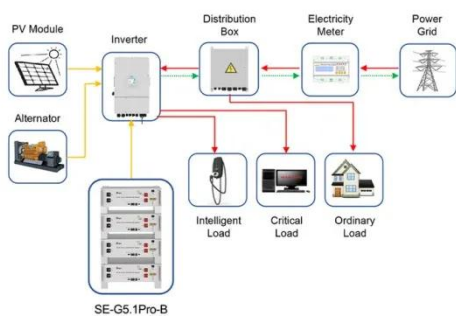
Huijue Group offers industrial and commercial energy storage, PV-BESS -EV Charging, Off-grid / On-grid Microgrid, telecom site solutions, and home solar energy storage, ensuring ...

[Get Price](#)

Good quality 120kW 120kVA Solar Battery Energy Storage System

We have seen an immediate reduction in our energy bills and a change in our power consumption patterns since we installed the PVMARS off-grid solar power system.

[Get Price](#)



Application scenarios of energy storage battery products

120KWH commercial energy storage system_Lithium Battery Storage ...

Dynamic capacity increase: energy storage equipment is used to replace the capacity of transformer in peak period to help customers reduce and reduce the expansion cycle and cost of transformer

...

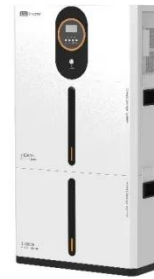
[Get Price](#)

Solar storage and charging

integrated cabinet 172KWh+120KW

Solar storage and charging integrated cabinet 172KWh+120KW-All-In-One with PV, Charger and Energy storage system DC coupling and AC coupling-SHENZHEN iYPOWER CO., LTD.

[Get Price](#)



VoltaNest All in One 120kW 241kWh 240kWh LFP High Voltage Solar ...

Cooling Air Cooling Product name All-In-One C& I PV ESS Cabinet Battery Capacity 177KWH/209KWH/241kWh (Capacity Customized) Show more

[Get Price](#)

Bulk-buy 120kw, 258kwh Battery Cabinet with LFP Battery Case for ...

Bulkbuy 120kw, 258kwh Battery Cabinet with LFP Battery Case for C& I Energy Storage price comparison, get China 120kw, 258kwh Battery Cabinet with LFP Battery Case for C& I Energy ...

[Get Price](#)



215kWh +120kW High Voltage Integrated Energy Storage Cabinet

Featuring 215kWh of LiFePO4 storage and a 120kW PCS, this system is engineered for industrial parks and commercial complexes that require high-



power energy management.

[Get Price](#)

LFP Battery Pack , Solar Storage Solution

The 120 kW automatic switching cabinet integrates STS-based control, protection, and monitoring functions to enable safe and automatic grid-connected and off-grid operation works with energy ...



[Get Price](#)

20-120kWh Scalable Battery Storage System for Energy Backup

We support bulk orders, custom cabinets, and white-label options. 20-120kWh modular battery storage system for commercial, solar, and backup applications. Scalable, high-voltage solution with LiFePO4 ...



[Get Price](#)

Solar energy storage cabinet 120kw wholesale , SPGSSOLAR

120KW Solar Panel Storage System As one of the most professional 120kw solar panel storage system enterprises in

China, we're featured by quality products and low price.

[Get Price](#)



Contact Us

For catalog requests, pricing, or partnerships, please visit:
<https://k3gizycko.pl>

