

Can homes install solar panels



Overview

It's legal to do so, but you'll have to be sure you're following your local building codes. You need to be sure you know the laws governing such an installation, especially with your homeowner's association, if you have one, as they can vary by state. The Residential Clean Energy Credit equals 30% of the costs of new, qualified clean energy property for you.

Can homes install solar panels



How to DIY Solar Panels for Home: A Simple Setup Guide

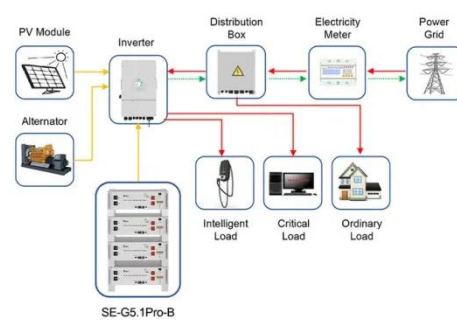
Can I Install a Solar Panel System Myself? Absolutely. If you've ever done a home renovation project, you can do DIY solar panels, also called photovoltaics.

[Get Price](#)

Can You Legally Install Your Own Solar Panels? It Depends

Unless you're thinking of buying a house with solar panels, you may be considering a DIY installation. It's legal to do so, but you'll have to be sure you're following your local building

[Get Price](#)



Application scenarios of energy storage battery products



A Pro Guide to Installing Solar Panels

Solar energy systems can make new homes cost more and increase a home's selling price. The expense of installing solar panels can show returns in 5-10 years with lower power bills, depending on the ...

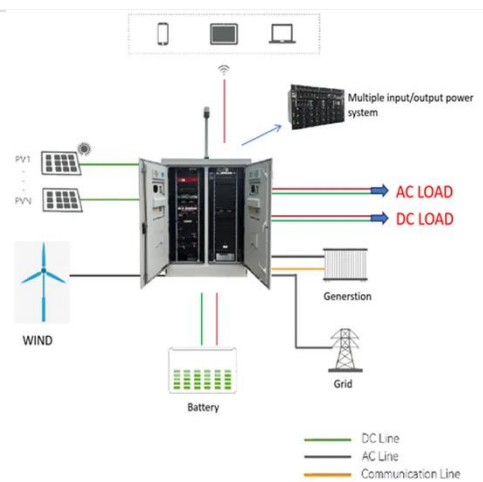
[Get Price](#)

How To Plan And Install Your Home

Solar System

Solar savings start with efficiency. As a homeowner who is ready to install a solar, reducing your waste of energy lowers the size and cost of the system that you need. An energy audit

[Get Price](#)



Home Solar Panels and Systems , Tesla

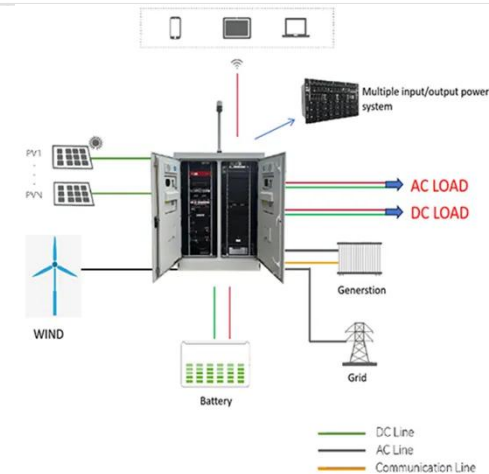
By installing Solar Panels, you can also reduce your reliance on traditional energy sources. Power your home with emissions-free renewable energy directly from the sun. You can qualify for local incentives that can help ...

[Get Price](#)

Solar Panels For Home: A Beginners Guide to Residential Solar Panels

Homeowners can run their homes using solar power instead of taking energy from the grid, which lowers energy bills and carbon footprints. A home solar energy system costs between \$18,000 and \$20,000 before any ...

[Get Price](#)



Homeowner's Guide to Solar , Department of Energy

In most cases, yes, you can install solar panels on your home if it is governed by

an HOA, though you will likely have to submit a request. Many states and territories have enacted solar access laws, which prevent HOAs ...

[Get Price](#)



Residential Clean Energy Credit

If you invest in renewable energy for your home such as solar, wind, geothermal, fuel cells or battery storage technology, you may qualify for an annual residential clean energy tax credit.

[Get Price](#)



DIY Solar Panel Installation: What Homeowners Can (and Can't) Legally

Installing your own solar panels can be legal and cost-effective, but navigating the regulations requires careful planning. Most states allow homeowners to install solar panels themselves, provided they ...

[Get Price](#)

Contact Us

For catalog requests, pricing, or partnerships, please visit:

<https://k3gizycko.pl>

