

Charging piles need energy storage



Charging piles need energy storage



Optimized operation strategy for energy storage charging piles based ...

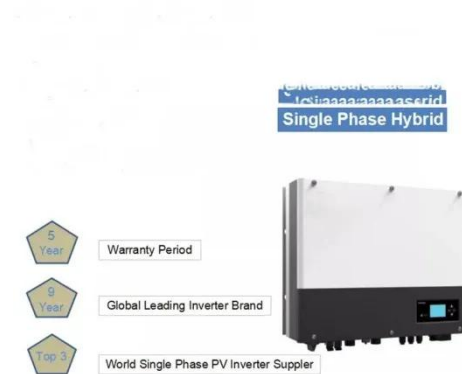
...

We have constructed a mathematical model for electric vehicle charging and discharging scheduling with the optimization objectives of minimizing the charging and discharging costs of electric vehicles ...

[Get Price](#)

Charging Piles and Electrochemical Energy Storage: Powering the ...

In a world racing toward net-zero emissions, two technologies are stealing the spotlight: charging piles for electric vehicles (EVs) and electrochemical energy storage systems. This article explores how ...



[Get Price](#)



Mobile Energy Storage Charging Pile in the Real World: 5

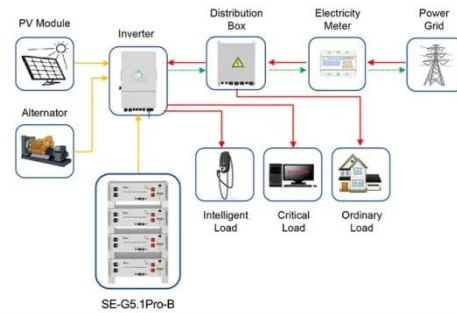
As urban areas grow smarter and energy demands increase, mobile energy storage charging piles are becoming essential components of modern infrastructure.

[Get Price](#)

Charging Pile Energy Storage: Powering the Future of Electric Mobility

Imagine this: You're at a highway rest stop, desperately needing a quick charge for your EV. But instead of waiting in line like it's Black Friday at a Tesla Supercharger, you plug into a sleek ...

[Get Price](#)



Application scenarios of energy storage battery products



How Charging Pile Energy Storage Technology Solves 3 Critical EV

Well, here's the kicker - charging pile energy storage technology isn't just solving these problems, it's flipping the script entirely. Let's break down how this innovation works and why it's about to redefine ...

[Get Price](#)

Energy Storage Charging Piles: Flexible EV Charging & Power Solutions

By storing electricity during the low-cost night-time period and discharging it during the high-demand daytime period, the energy storage charging pile can effectively help businesses and ...

[Get Price](#)



Energy Storage Charging Pile Management Based on Internet of ...

On this basis, combined with the



research of new technologies such as the Internet of Things, cloud computing, embedded systems, mobile Internet, and big data, new design and ...

[Get Price](#)

Design and Application of Smart EV Charging Piles

The integration of V2G, energy storage technologies, and high-performance batteries not only facilitates battery swapping services but also drives the convergence of photovoltaics, energy storage, and ...



[Get Price](#)



How do charging piles solve the problem of energy storage?

Charging piles provide flexible energy management by storing surplus energy for later use, which helps balance supply and demand. Furthermore, they promote the use of electric ...

[Get Price](#)

Why Energy Storage is Crucial for Modern EV Charging Piles

Summary: Discover how integrating energy storage with EV charging piles solves grid overload, enhances

renewable energy use, and cuts operational costs. Learn industry trends, real-world ...

[Get Price](#)



Contact Us

For catalog requests, pricing, or partnerships, please visit:
<https://k3gizycko.pl>

