

China solar panels with on-site energy



China solar panels with on-site energy



Solar by the Numbers: Midong Is China's Latest Mega-Marvel

Midong features 5.26 million 650-W monocrystalline bifacial double-glass photovoltaic (PV) panels. The facility's infrastructure includes more than 1.23 million supporting piles, five 220-kV

[Get Price](#)

Why China Built 162 Square Miles of Solar Panels on the World's ...

China is building an enormous network of clean energy industries on the Tibetan Plateau, the world's highest. The intention is to harness the region's bright sunshine, cold temperatures and

[Get Price](#)

Modular design,
unlimited combinations in parallel
BUILT-IN DUAL FIRE PROTECTION MODULE



H1 2025: China installs more solar than rest of the world combined

The continent imported 60% more solar panels from China over the past year, though a lack of reliable installation data makes it a challenge to track the true pace of deployment.

[Get Price](#)

China's solar capacity set to overtake coal in 'historic' shift



China is set to have more solar power capacity than coal for the first time this year, marking a "historic" milestone in the country's energy transition. Data released on Monday by a

[Get Price](#)



Outdoor Cabinet BESS
50 kWh/500 kWh Battery Storage System
Industrial and Commercial Energy Storage

- All in One**
Integrating battery packs
- High-capacity**
50-500kWh
- Degree of Protection**
IP54
- Operating Temperature Range**
-20~60°C (Derating above 50 °C)
- Intelligent Integration**
Integrated photovoltaic storage cabinet
- Rated AC Power**
50-100kW
- Altitude**
3000m (>3000m derating)



The Amount of New Solar Power Production Capacity China Is

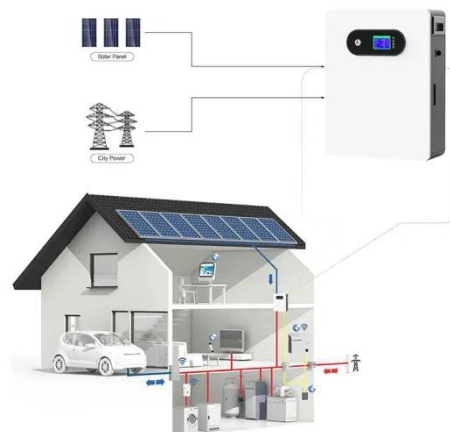
As of 2024, China was responsible for 64 percent of the world's utility-scale solar and wind construction, with 339 gigawatt hours of renewable energy infrastructure in the works, even though

[Get Price](#)

Why China Built 162 Square Miles of Solar Panels on the Tibetan ...

Explore China's massive solar panel project on the Tibetan Plateau, its benefits for clean energy, and how high-altitude locations boost solar efficiency and reduce carbon emissions.

[Get Price](#)

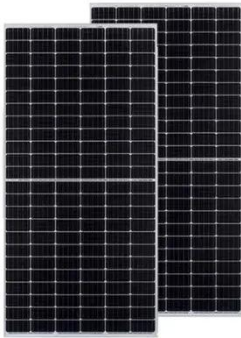


China Wind & Solar brief July 2025

China is advancing a nearly 1.3 terawatt (TW) pipeline of utility-scale solar and wind capacity, leading the global effort in renewable energy buildout. This is in addition to China's already operating 1.4

TW ...

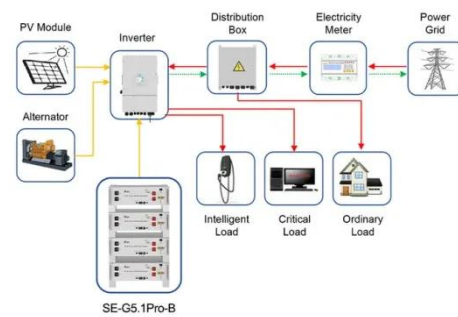
[Get Price](#)



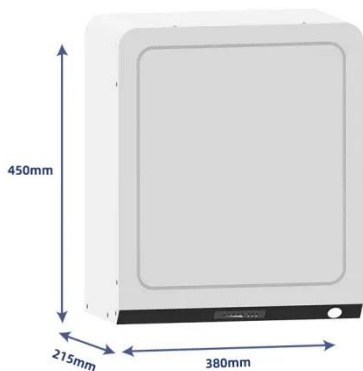
China's solar capacity installations grew rapidly in 2024

The 277 GW of utility-scale solar capacity installed in China in 2024 alone is more than twice as much as the 121 GW of utility-scale solar capacity installed in the United States at the end of ...

[Get Price](#)



Application scenarios of energy storage battery products



How China adds more renewable energy than any other economy

China is adding more solar and wind power to its energy grid than any other economy - but that huge buildout has its challenges. Here's what we can learn

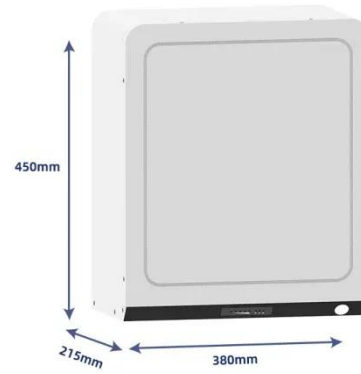
[Get Price](#)

China Nears Historic Power Shift as Solar Overtakes Coal in 2026

China's total installed power capacity is forecast to reach about 4.3 terawatts by the end of 2026 as China expects 300

GW to come from primarily wind and solar.

[Get Price](#)



Contact Us

For catalog requests, pricing, or partnerships, please visit:
<https://k3gizycko.pl>

