

China solar power with grid backup company



Overview

Led by Shenzhen Power Supply Bureau and jointly developed by Hopewind Electric, Tsinghua University and other partners, the project marks a significant breakthrough in the integration of grid-forming energy storage technology with urban distribution networks. Even facilities with on-site generation depend on the wider grid for voltage and frequency control, meaning cost-sharing mechanisms are needed to. With innovation-driven development as its most important strategy and core driving force, Trinasolar has put in place a comprehensive and leading science and innovation system. 3 (Chunhui Substation) Demonstration Project -- was successfully put into operation. Did you know China's renewable energy capacity surpassed 1,200 GW in 2023?

As solar and wind installations multiply, energy storage containers have become the unsung. China, the global leader in renewable energy installation, has embarked on a monumental project to fortify its grid infrastructure. 9 billion initiative aims to facilitate the transmission of electricity across three provinces, leveraging advanced technology to store energy in mountain.

China solar power with grid backup company



China's solar power capacity is on course to surpass coal this year

China's solar power capacity is on course to surpass coal this year A sunset glow lights up wind turbines and rows of solar panels at a wind farm in Qingyang, Gansu province, China.

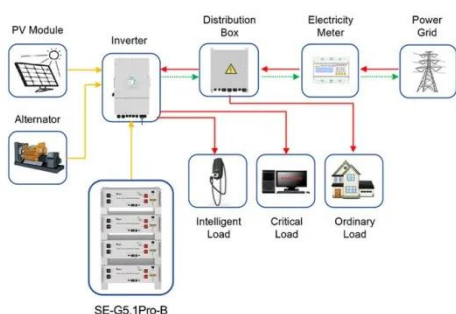
[Get Price](#)

China's First Grid-Forming Wind-Solar-Storage Integrated System for

Recently, China's first grid-forming wind-solar-storage integrated system applied in substations for real-time power supply assurance -- the Houhai No. 3 (Chunhui Substation) ...



[Get Price](#)



Application scenarios of energy storage battery products

Combined solar power and storage as cost-competitive and grid

Understanding technically feasible, cost-competitive, and grid-compatible solar photovoltaic (PV) power potentials spatiotemporally is critical for China's future energy pathway.

[Get Price](#)

China's farms investing in solar

show no sign of pausing buildout

China wants one-fifth of its power to come from renewables by 2025, and it's offered a wide range of subsidies to local governments and businesses. The push -- in both industrial solar ...

[Get Price](#)



Smart Energy

The power station is located in Wanning City, Hainan Province, China, and is supplied by Trinasolar. The project adopts Trinasolar's Vertex N 700W series modules, with an average annual power ...

[Get Price](#)

How China is Reshaping the Future of Solar Energy ...

China's rapid advancements in solar energy and smart grids are reshaping global markets, creating new opportunities and IP challenges for energy innovators.

[Get Price](#)



How China adds more renewable energy than any other economy

China is adding more solar and wind power to its energy grid than any other economy - but that huge buildout has its

challenges. Here's what we can learn

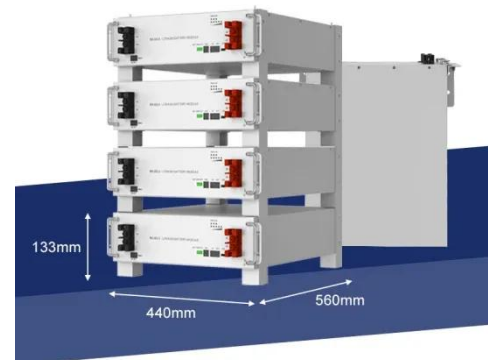
[Get Price](#)



China, renewable energy, solar power, wind power, grid infrastructure

Driven by an unprecedented surge in solar and wind power installations, China has set remarkable records in renewable energy capacity expansion. In 2023 alone, the country added a ...

[Get Price](#)



After the mandate: China's energy storage sector one year on

Wang Zesen, senior engineer at the State Grid Jibei Electric Power Company, identifies two reasons for those low utilisation rates: some areas with good wind and solar resources lack grid ...

[Get Price](#)

China Southern Power Grid Energy Storage Solutions: Powering ...

Discover how advanced energy storage containers are revolutionizing grid management and renewable energy

integration across China.

[Get Price](#)



Contact Us

For catalog requests, pricing, or partnerships, please visit:
<https://k3gizycko.pl>

