

Communication base station 48v iron-lithium battery remote control module



✓ TELECOM CABINET

✓ BRAND NEW ORIGINAL

✓ HIGH-EFFICIENCY



Communication base station 48v iron-lithium battery remote contro



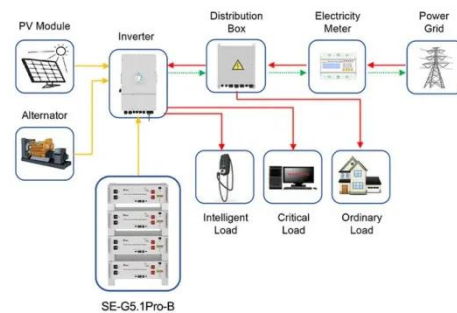
Communication Base Station Power Supply

The 48V series lithium iron phosphate batteries adopt an integrated structural design, are equipped with the monitoring function of an intelligent battery management system (BMS), and are installed in a standardized ...

[Get Price](#)

Lithium Iron Phosphate Battery Module: Reliable 48V Solution for 5G

Experience the reliability and efficiency of our Lithium Iron Phosphate Battery Module, providing a robust 48V solution to ensure uninterrupted power for 5G base transceiver stations and seamless communication networks.



Application scenarios of energy storage battery products

[Get Price](#)



48V 50Ah Mobile Communication Base Station Lithium Iron Phosphate

48v 50Ah mobile communication base station lithium iron phosphate battery cell Model: Fe25Ah/25Ah/3.2V battery Specification: Fe25Ah-15S2P/48V/50Ah nominal Voltage: 48V nominal capacity:

...

[Get Price](#)

48V Communication Lithium Battery

Leoch 48V lithium battery for communication is a high-performance energy storage solution designed for communication base stations, data centers, network equipment and other scenarios.

[Get Price](#)

12.8V 100Ah



V-LFP48V Standard Series Telecom Lithium Battery

The 48V communication series covers capacities from 10Ah to 200Ah, featuring a wide temperature range, long cycle life, maintenance-free design, remote monitoring, and smart anti-theft capabilities.

[Get Price](#)

Can a 48V battery be used in a communication base station?

So, to answer the question, yes, a 48V battery can definitely be used in a communication base station. In fact, it's one of the best options available due to its compatibility, reliability, and cost - efficiency in the long run.

[Get Price](#)



48V Communication Base Station Battery , Long-Lasting LiFePO4 ...

Our 48V communication base station batteries are built using advanced

lithium technology, which significantly enhances their lifespan compared to traditional battery systems.

[Get Price](#)



10KWH lithium 48V 200Ah LiFePO4 battery pack with RS485,RS232

10KWH lithium 48V 200Ah LiFePO4 battery pack with RS485,RS232 communication for home storage system
Application: can be widely used in indoor distribution stations, integrated base stations, marginal stations, ...



[Get Price](#)



Telecom Lithium Battery Module , Bessium

The 48V 800Ah-Telecom Lithium Battery Rack is designed for critical telecom applications, such as base stations and remote communication systems, offering reliable and high-capacity energy storage.

[Get Price](#)

Products Center

7.Optimized monitoring strategies through remote control/diagnosis; 8 pports RS232 and RS485

communication, compatible with power and environmental monitoring systems;

[Get Price](#)



Contact Us

For catalog requests, pricing, or partnerships, please visit:
<https://k3gizycko.pl>

