

Comparison of 30kW IP54 outdoor photovoltaic cabinets for construction sites



Comparison of 30kW IP54 outdoor photovoltaic cabinets for construction



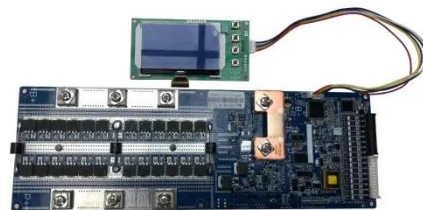
Energy Storage Cabinet Outdoor 20KW 50KWh/ 30KW 60KWh

Cooperate with solar panels to form an energy-saving and green photovoltaic storage system, making it easier to build an independent energy storage system for residential and commercial use.

[Get Price](#)

10KWh/20KWh/30KWh/40KWh Outdoor Photovoltaic Energy Cabinet

EK's outdoor photovoltaic energy storage cabinet is a high-performance energy storage solution designed for outdoor environments. The product integrates photovoltaic power generation, energy storage batteries and ...



[Get Price](#)

30KWh Outdoor Photovoltaic Energy Cabinet

The outdoor photovoltaic energy cabinet can provide reliable housing for network servers, edge computers, professional equipment, monitoring systems, photovoltaic, and battery systems.

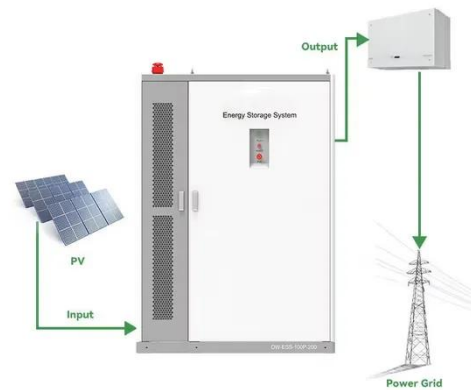


[Get Price](#)

Outdoor Photovoltaic Telecom Energy Cabinet

These cabinets enable extended telecom and computing operation by combining renewable energy sources with battery backup at edge sites.

[Get Price](#)



S30 Outdoor Cabinet BESS 1

All-in-one design and highly integrated. Modular design with different optional parts. Parallel installation side-by-side or back-to-back. S30 Outdoor Cabinet BESS is for Commercial and Industrial consumers with all ...

[Get Price](#)

30KWH OUTDOOR PHOTOVOLTAIC ENERGY CABINET

What is energy storage cabinet? Energy Storage Cabinet is a vital part of modern energy management system, especially when storing and dispatching energy between renewable energy (such as solar energy and wind ...

[Get Price](#)



30KWH Solar Battery Storage System ...

Discover the affordability of a 30 kilowatt solar system and revolutionize your energy use. Uncover the true cost and

benefits of 30kW battery storage today!

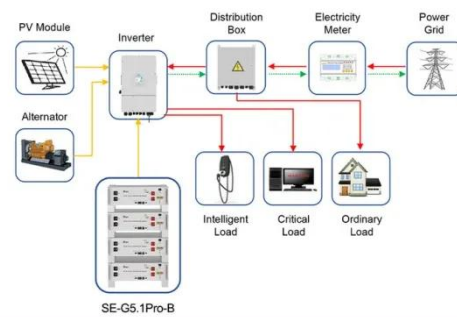
[Get Price](#)



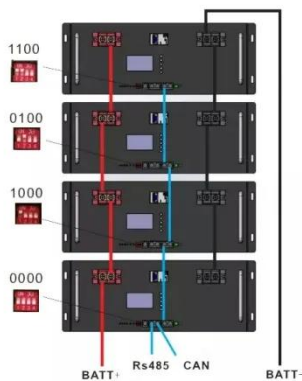
50KW / 100KWH Outdoor Cabinet Energy Storage System

It adopts door-mounted embedded integrated air conditioning, which does not occupy cabinet space, improves the available space of outdoor cabinets, has better structural integrity at the top, and has good waterproof ...

[Get Price](#)



Application scenarios of energy storage battery products



OUTDOOR POWER SOURCES , ICEENG CABINET

What is a 30kW 60kwh high voltage all-in-one outdoor cabinet?The 30KW 60KWH high voltage all-in-one outdoor cabinet BESS is a versatile and compact solution for seamless energy storage and management.

[Get Price](#)

Hitek All in One 30kw-54kwh Solar Power System 30kw-54kwh Cabinet

...

As superior photovoltaic manufacturer,

HITEK ENERGY's dedicated to providing sustainable and renewable energy solutions to strengthen homes, businesses and factories.

[Get Price](#)



 TAX FREE    

ENERGY STORAGE SYSTEM

Product Model
HU-ESS-215A(100KW/215KWH)
HU-ESS-115A(50KW 115KWH)

Dimensions
1600*1280*2200mm
1600*1200*2000mm

Rated Battery Capacity
215KWH/115KWH

Battery Cooling Method
Air Cooled/Liquid Cooled



30KWH Solar Battery Storage System Manufacturer/Supplier , ECE Energy

Discover the affordability of a 30 kilowatt solar system and revolutionize your energy use. Uncover the true cost and benefits of 30kW battery storage today!

[Get Price](#)

Contact Us

For catalog requests, pricing, or partnerships, please visit:
<https://k3gizycko.pl>

