

# Configuration Scheme for 60kW Communication Power Supply Cabinet



## Configuration Scheme for 60kW Communication Power Supply Cabinet

---



### InfraStruxure PDU 60kW 480V/208V

Designed to increase flexibility and agility of data center power distribution through a design that does not require a raised floor.

[Get Price](#)

---

### Principle Cabinet Design EMC and grounding G574e Part 3

This slide should explain groundings inside cabinets with different cabinet surfaces.

[Get Price](#)

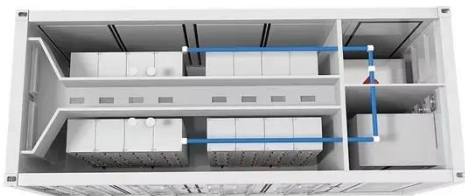


---

### Communications System Power Supply Designs

These small form factor POL modules, now available in Single In-line Package (SIP) and surface mount device package (SMD), provide a cost-effective means of providing systems loads with multiple low ...

[Get Price](#)



### 60kW, DC-DC Converter

## Configuration

Experience unparalleled flexibility with our 60kW DC-DC Converter Configuration. This forward-thinking solution boasts a variety of DC-DC Converters, allowing you to tailor voltage and current ranges to ...

[Get Price](#)



## Eaton 93PM 60 kW UPS

Up to 98.5 percent efficiency with Energy Saver System (ESS) Up to 95 percent efficiency in double-conversion mode. Provides flexible configurability. Includes swappable technology to scale in ...

[Get Price](#)

## APLUS 30-42U 60-600K-Modular UPS- KEBOS POWER CO., LTD.-

You can expand its capacity by combining 50/60 kW modules in a scalable, building block fashion to deliver 600 kW (N+1) from a single 42U rack enclosure. This powerful configuration delivers higher ...

[Get Price](#)



## 60kW UPS Specifications

60kVA rated UPS systems for server rooms, datacentres and other critical environments. The UPS are rated at 60kVA and their kW-rating will vary

depending on their output power factor.  
Monoblock UPS ...

[Get Price](#)



### TRIMOD MCS 60 kW 98 UPS TRIMOD MCS 60kW BATTERY ...

ICATIONS 2 General specifications The Legrand TRIMOD MCS 60 UPS is a high efficiency UPS on line double conversion with PWM Hi-Frequency technology. It has passing through ...

[Get Price](#)



### MODULAR THREE-PHASE UPS SYSTEMS DPA 60 and 120 ...

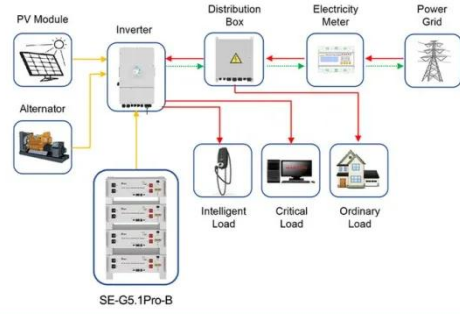
DPA 60 cabinet is 20-60kW with internal batteries. DPA 120 cabinet is 20-120kW with external battery cabinets.

[Get Price](#)

### American Power Conversion PD60F6FK1 : Operation and ...

Operation and Configuration 60kW  
InfraStruXure PDU PD60F6FK1,  
PD60G6FK1, PD60L6FK1, PDRPPNX10

[Get Price](#)



Application scenarios of energy storage battery products

## Contact Us

---

For catalog requests, pricing, or partnerships, please visit:  
<https://k3gizycko.pl>

