

Cylindrical solar energy storage cabinet lithium battery 55a battery cell



Cylindrical solar energy storage cabinet lithium battery 55a battery



LIBSESMG17UL

Battery cabinet that includes Lithium-ion batteries, Battery Management System (BMS), switchgear, power supply, and communication interface.

[Get Price](#)

IP55 ESS Outdoor Cabinet Energy Storage System , AZE

Based on a lithium iron phosphate battery system, the ESS outdoor cabinet serves as a comprehensive complete solution for stationary energy storage.



[Get Price](#)

Outdoor Cabinet BESS
50 kWh/500 kWh Battery Storage System
Industrial and Commercial Energy Storage



-  **All In One**
Integrating battery packs
-  **Intelligent Integration**
integrated photovoltaic storage cabinet
-  **High-capacity**
50-500kWh
-  **Rated AC Power**
50-100kW
-  **Degree of Protection**
IP54
-  **Altitude**
3000m(>3000m derating)
-  **Operating Temperature Range**
-20-60°C;(Derating above 50°C)

Vertiv(TM) EnergyCore, Lithium Ion Battery Cabinet

The Vertiv(TM) EnergyCore Li5 and Li7 battery systems deliver high-density, lithium-ion energy storage designed for modern data centers. Purpose-built for critical backup and AI compute loads, they ...

[Get Price](#)

48V 5AH Naked Battery Pack ,

Lithium Power , Made in USA

Battery Cell Matrix (Cylindrical or Prismatic Cells) Main energy storage block made of multiple cells, cylindrical or prismatic depending on the project, arranged into a compact, high-capacity pack. ...

[Get Price](#)



Lithium Ion Battery Storage Cabinet LBSC-A11

Our Lithium Ion Battery Storage Cabinet LBSC-A11 is suitable for large-scale ...

[Get Price](#)



Solar Battery Storage Cabinet

The LZY solar battery storage cabinet is a tailor-made energy storage device for storing electricity generated through solar systems. They assure perfect energy management to continue power ...

[Get Price](#)

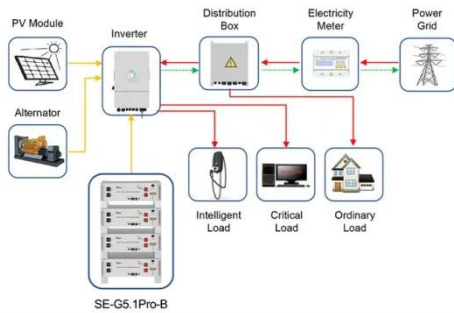


Lithium Ion Battery Storage Cabinet LBSC-A11

Our Lithium Ion Battery Storage Cabinet LBSC-A11 is suitable for large-scale battery storage, EV charging stations, and energy storage facilities. It provides

high-capacity containment with integrated ...

[Get Price](#)



Application scenarios of energy storage battery products

ESS-GRID Cabinet Brochure EN-250401

The ESS-GRID Cabinet series are outdoor battery cabinets for small-scale commercial and industrial energy storage, with four different capacity options based on different cell compositions, 200kWh, ...



[Get Price](#)



SEGL Energy Lithium-ion Battery|Products|Energy Storage System|Cabinet

Store PV and AV power to provide cost-saving dispatch, reduced contract power, emergency power residential power supply. Certification:CE, FCC, RoHS. Solar energy storage system. Inverter, ...

[Get Price](#)

CellBlock Battery Fire Cabinets

CellBlock Battery Storage Cabinets are a superior solution for the safe storage of

lithium-ion batteries and devices containing them. Our practical, durable cabinets are manufactured from aluminum, and ...

[Get Price](#)



All-in-one IP55 Outdoor Energy Storage Cabinet for Lithium-ion Battery

The NEMA type outdoor lithium battery enclosure can effectively control the inner ideal temperature of the cabinet and make the battery run in an ideal temperature condition.

[Get Price](#)

Contact Us

For catalog requests, pricing, or partnerships, please visit:
<https://k3gizycko.pl>

