

Design Specifications for Photovoltaic Panel Insulation Sheds



Overview

The Photovoltaic (PV) Ready Guidelines document describes design considerations and specifies modifications builders can make to new attached and detached homes in preparation for the installation of a future photovoltaic system. The Renewable Energy Ready Home (RERH) specifications were developed by the U. A photovoltaic system does not need bright sunlight in order to operate. PV systems can be designed as. Building-Integrated Photovoltaics for Commercial and Institutional Structures: A Sourcebook for Architects and Engineers was prepared for the U. Department of Energy's (DOE's) Office of Power Technologies, Photovoltaics Division, and the Federal Energy Management Program. Is it a sprawling commercial rooftop?

A slightly sloped residential home?

A. Funding for this work was provided by Natural Resources Canada through the Program of Energy Research and Development, Built Environment Portfolio.

Design Specifications for Photovoltaic Panel Insulation Sheds



Structural Requirements for Solar Panels -- Exactus Energy

This comprehensive guide outlines the structural requirements for solar panels and provides an overview on the inner workings of the installation process.

[Get Price](#)

Photovoltaic panel insulation measurement specifications and ...

In addition to referencing international electro-technical photovoltaic standards such as IEC 61215, IEC 61646 and IEC 61730, typical standards from the building sector are also included,

[Get Price](#)



Design and Sizing of Solar Photovoltaic Systems

It includes detailed technical information and step-by-step methodology for design and sizing of off-grid solar PV systems. The information presented is aiming to provide a solid background and good ...

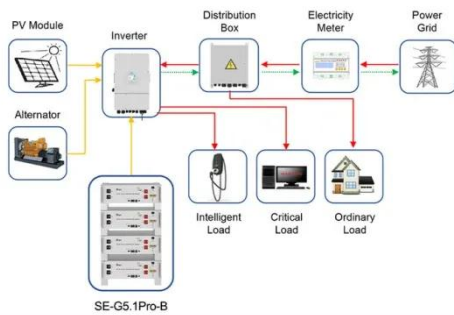
[Get Price](#)



Building-Integrated Photovoltaics: A Technical Guidebook

Building-Integrated Photovoltaics (BIPV) represents a paradigm shift in architecture and energy, transforming buildings into renewable energy generators by seamlessly integrating solar technology ...

[Get Price](#)



Application scenarios of energy storage battery products

Photovoltaic panel insulation installation requirements and ...

Builders that intend to meet both the solar PV and solar water heating RERH specifications should detail the location and the square footage of the roof area to accommodate both technologies.

[Get Price](#)

Design of Photovoltaic Panel Insulation Shed

How do solar panels work for a shed? he electrical current from the solar panels. It protects the battery from overcharging or draining completely. Inverter: The inverter converts the DC power from the ...

[Get Price](#)



Solar Photovoltaic: SPECIFICATION, CHECKLIST AND GUIDE

The RERH specifications and checklists take a builder and a project design team through the steps of assessing a home's

solar resource potential and defining the minimum structural and system ...

[Get Price](#)



NRCan's Photovoltaic Ready Guidelines

The Photovoltaic (PV) Ready Guidelines document describes design considerations and specifies modifications builders can make to new attached and detached homes in preparation for the ...

[Get Price](#)



Building-Integrated Photovoltaic Desings for Commerical and

Building-Integrated Photovoltaics for Commercial and Institutional Structures: A Sourcebook for Architects and Engineers was prepared for the U.S. Department of Energy's (DOE's) Office of Power ...

[Get Price](#)

Technical Specifications for On-site Solar Photovoltaic Systems

Customizable template for federal government agencies seeking the

construction of one or more on-site solar PV systems.

[Get Price](#)



Contact Us

For catalog requests, pricing, or partnerships, please visit:
<https://k3gizycko.pl>

