

Do solar panels have degradation



Overview

Solar panel degradation is a gradual decline in efficiency due to exposure to sunlight and weather. 5% per year, meaning they still work well for many years. Quality of materials and installation practices greatly affect how quickly. To understand the lifespan limitations of PV modules, you should comprehend the concept of solar panel degradation. In this article, we will explain everything you need to know about this and give you tips. Even a small yearly drop in performance can add up over time, affecting total energy output, financial returns, and system longevity. Degradation happens naturally as solar panels age. Factors like sunlight, temperature. Solar panels are an incredibly durable technology, designed to generate electricity for 25 years or more. This natural process is known as degradation.

Do solar panels have degradation



Solar Panel Degradation Explained: Efficiency, Lifespan & ROI Over ...

But here's a fact many people overlook: solar panels don't stay at peak efficiency forever. Just like any technology, they gradually lose some performance over time. This natural process is called ...

[Get Price](#)

Solar Panel Degradation: 3 Strong Research Facts For Smart Buyers

Even a small yearly drop in performance can add up over time, affecting total energy output, financial returns, and system longevity. This gradual decline in power production is known as ...

[Get Price](#)



Solar Panel Degradation: How It Affects Long-Term Performance

Solar panel degradation is a gradual decline in efficiency due to exposure to sunlight and weather. Most solar panels degrade at a rate of about 0.5% per year, meaning they still work well for ...

[Get Price](#)

Solar Panel Degradation: What's Normal and What's Not



Solar panels are an incredibly durable technology, designed to generate electricity for 25 years or more. However, like any outdoor equipment exposed to the elements, they experience a gradual decline in ...

[Get Price](#)



Why Solar Panels Degrade and How to Minimize the Degradation?

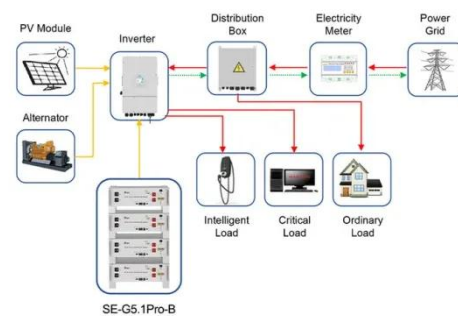
Solar panel performance degradation refers to the gradual decline in a solar panel's ability to convert sunlight into electricity efficiently. This degradation is an inevitable process that ...

[Get Price](#)

How Solar Panel Performance Changes Over Time

Solar panel degradation is a gradual decline in a PV panel's ability to convert sunlight into usable electricity. Although solar panels are highly durable, typically under warranty for 25+ years, they will ...

[Get Price](#)



Application scenarios of energy storage battery products

Understanding Solar Panel Degradation: Causes and Long-Term ...

Research indicates that, on average, solar panels degrade at a rate of

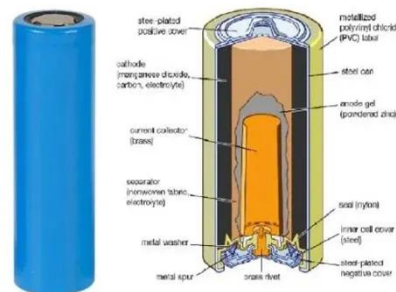


approximately 0.5% to 1% per year. This means that a solar panel that initially converts sunlight into energy at ...

[Get Price](#)

How Long Do Solar Panels Last? Solar Panel Degradation Explained

All solar panels slowly degrade over time, which means they're producing less electricity from the same amount of sunlight. How and why does this happen? Various external factors (like ...



[Get Price](#)

Solar Panel Degradation: What Is It and Why Should You Care?

Solar panel degradation comprises a series of mechanisms through which a PV module degrades and reduces its efficiency year after year. Aging is the main factor affecting solar panel ...

[Get Price](#)



Do Solar Panels Wear Out? The Truth About Degradation

Modern solar panels are built to continue generating electricity well beyond this period, with many systems functioning effectively for 30 to 40 years. Once the

panels degrade below the 80% ...

[Get Price](#)



Contact Us

For catalog requests, pricing, or partnerships, please visit:
<https://k3gizycko.pl>

