

Earthquake-resistant energy storage cabinets for environmental protection projects

Our Lifepo4 batteries can be connected in parallels and in series for larger capacity and voltage.



Overview

In this article, we explore the features, benefits, and considerations of earthquake-proof cantilever racks, shedding light on how they contribute to safer and more secure storage systems. Our storage systems feature seismic-resistant, moment-resisting reinforcements, offering the strength and flexibility to evenly distribute seismic forces and absorb energy without collapsing. Bracing and anchoring secure racks and shelving units, while mobile shelving and pallets move along tracks. Certain environments require extra protection for rackmounted equipment. Eaton Seismic Cabinets are performance-tested to NEBS GR 63-Core certified zone 4 cabinets for earthquake prone or areas subject to regular vibrations, such as airports, factories and high rise buildings. For different dimensions please contact your customer representative.

Earthquake-resistant energy storage cabinets for environmental protection



How does the earthquake-resistant structure ensure the reliability of

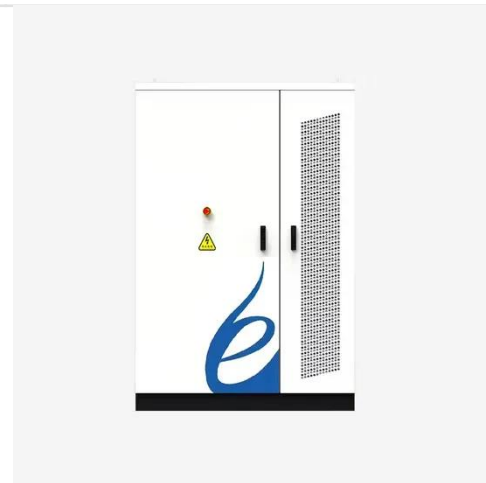
PROTA's IT cabinets are engineered to protect critical electronic equipment—servers, network devices, and data storage systems—from environmental hazards and physical stress, with a strong emphasis ...

[Get Price](#)

Vanuatu responds to multiple health challenges following 7.3 ...

On 17 December 2024, a powerful 7.3 magnitude earthquake struck near Port Vila, the capital of Vanuatu, impacting more than a quarter of the country's population. The disaster caused ...

[Get Price](#)



Lives Rebuilt: Personal Stories from Myanmar's Earthquake Recovery

A community struggling, yet unbroken & WHO's people centered response The hardships these individuals face reflect the wider struggles of millions displaced by the earthquake. Safe water, ...

[Get Price](#)

EARTHQUAKE RESISTANT

Empower your off-grid projects and grid-support applications with a reliable outdoor battery storage cabinet from TOPBAND. Engineered for harsh climates and demanding workloads, ...

[Get Price](#)



1mwh (500kw/1mw)

AIR COOLING
ENERGY STORAGE CONTAINER



Surviving an Earthquake: The EZ Seismic Cabinet

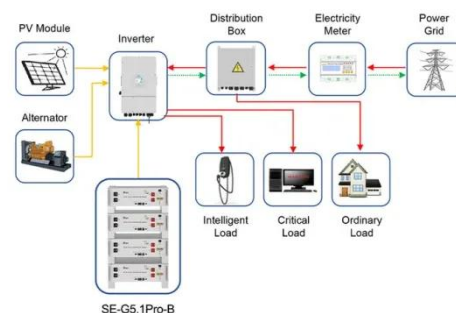
Our EZ Seismic Cabinet is a tested, high-capacity solution engineered to keep mission-critical hardware protected, organized, and secure in even the most demanding seismic environments.

[Get Price](#)

Earthquake Resilient Storage for Seismic-Resistant Warehousing

Our storage systems feature seismic-resistant, moment-resisting reinforcements, offering the strength and flexibility to evenly distribute seismic forces and absorb energy without collapsing.

[Get Price](#)



Application scenarios of energy storage battery products

after an earthquake

After an earthquake, there may be unpredictable aftershocks, landslides and fires. Aftershocks may occur immediately after the earthquake or

Applications



after days, weeks or even months. Follow instructions from ...

[Get Price](#)

Earthquake-Proof Cantilever Racks: Seismic Safety Solutions

In this article, we explore the features, benefits, and considerations of earthquake-proof cantilever racks, shedding light on how they contribute to safer and more secure storage systems.



[Get Price](#)



Seismic Cabinets for Harsh Environments , Eaton

Keep equipment safe in the harshest of environments. Eaton Seismic Cabinets are designed to protect rack-mounted equipment in earthquake prone settings.

[Get Price](#)

Myanmar earthquake response 2025

Sagaing earthquake in Myanmar On 28 March 2025, two powerful earthquakes struck central Myanmar's Sagaing Region near Mandalay. The first, with a

magnitude of 7.7, occurred at ...

[Get Price](#)



The Best Seismic Server Racks , Gaw Technology

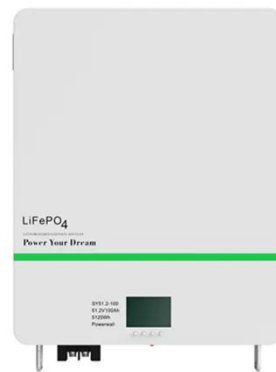
Explore our custom seismic solutions tailored for high-risk environments, providing specialized protection for critical equipment. Trust our expertise.

[Get Price](#)

On the path to recovery: three months after the earthquake in Vanuatu

A 7.3 magnitude earthquake struck Port Vila on 17 December 2024, claimed 14 lives, destroyed critical infrastructure, and displaced over 2000 people who needed to stay in evacuation ...

[Get Price](#)



Seismic Rated Enclosures & Rack Cabinets

In many cases, millions of dollars worth of technology depend on the quality and installation method of the seismic rack



that it is stored in. Bison Profab can manufacture seismic rated enclosures & rack cabinets ...

[Get Price](#)

Energy Storage Cabinet Seismic Resilience: Engineering for Earthquake

How much structural stress can modern energy storage cabinets endure during seismic events? As global deployments surge 78% year-over-year (Wood Mackenzie Q2 2023), earthquake resilience transforms from ...



[Get Price](#)



Earthquake in Türkiye and the Syrian Arab Republic

On 6 February 2023, a series of large earthquakes hit southern Türkiye and northern Syria, followed by hundreds of aftershocks. Thousands of lives were lost in the initial earthquakes and thousands more ...

[Get Price](#)

WHO response to Myanmar Earthquake 2025

On 28 March 2025, two powerful

earthquakes struck central Myanmar's Sagaing Region near Mandalay. The first, with a magnitude of 7.7, occurred at 12:50 p.m. local time, followed by a ...

[Get Price](#)



KabinPLUS KS Seismic

KabinPLUS KS 19" Data Center Seismic Rack Cabinets have been designed to offer high flexibility and efficiency with a robust and anti-seismic core construction for data centres to handle Zone 4 earthquake ...

[Get Price](#)

WHO Responds to Nepal Earthquake

Working closely with the government and partners, WHO is supporting to respond to the urgent health needs of the affected population. A 6.4 magnitude earthquake hit Nepal's Western ...

[Get Price](#)



Contact Us

For catalog requests, pricing, or partnerships, please visit:
<https://k3gizycko.pl>

