

Environmental protection projects using modular outdoor cabinets connected to the grid



Environmental protection projects using modular outdoor cabinets



Energy Cabinets: A Smart Solution for Modern Homes

A California, USA, case study illustrates the integration of outdoor energy cabinets to provide backup from batteries to grid-connected homes within a solar community.

[Get Price](#)

The outdoor energy storage system is the future of reliable off-grid

Learn how an outdoor energy storage system enables reliable off-grid power for remote sites, communities, and critical infrastructure.



[Get Price](#)



Energy Storage Outdoor Cabinets: Key Applications and Industry Trends

Outdoor energy storage cabinets have evolved from simple battery boxes to intelligent power hubs. Whether you're securing telecom networks or optimizing solar ROI, choosing the right cabinet ...

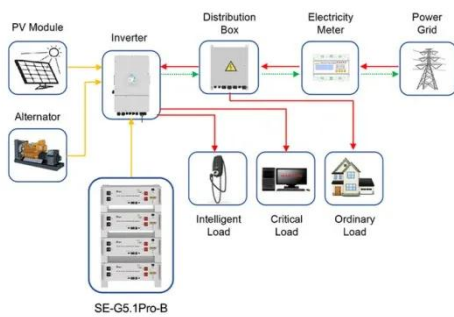
[Get Price](#)

All-in-One Energy Storage Cabinet &

BESS Cabinets , Modular, ...

Featuring lithium-ion batteries, integrated thermal management, and smart BMS technology, these cabinets are perfect for grid-tied, off-grid, and microgrid applications. Explore reliable, and IEC ...

[Get Price](#)



Application scenarios of energy storage battery products

Technical Standards and Best Practices for Grid-Connected Cabinets

Most grid-connected cabinets are supposed to operate in harsh environmental conditions, either outdoors or in an industrial setting. Ensuring such cabinets can support the ...

[Get Price](#)

Outdoor Cabinet Energy Storage System (Air-Cooled) - Modular ...

Available in both 100kWh and 215kWh capacities, this modular system integrates power modules, batteries, cooling, fire protection, and environment monitoring in a compact outdoor cabinet.

[Get Price](#)



Outdoor cabinets as energy storage enclosure

Our outdoor cabinets with lock/hinged



doors are suitable for housing multiple battery racks. The interior is air-conditioned by a cooling unit that is mounted on the side wall or door leaf.

[Get Price](#)

Energy storage outdoor cabinet design pictures

Aerosol fire suppression is also integrated into each outdoor cabinet allowing for safer and more controlled energy storage system design for firefighting. 340kWh rack systems can be paired with ...



[Get Price](#)



The Core Component of Solar Power Generation Systems

In this article, we'll delve into the vital functions of grid-connected cabinets, including their importance in energy conversion, system monitoring, and providing critical safety protection.

[Get Price](#)

AZE BESS Cabinets

Our BESS systems are all-weather suited, with three different cabinet variations to suit any weather environment. With isolated output and

online UPS for grid-connected applications, you have access ...

[Get Price](#)



Contact Us

For catalog requests, pricing, or partnerships, please visit:
<https://k3gizycko.pl>

