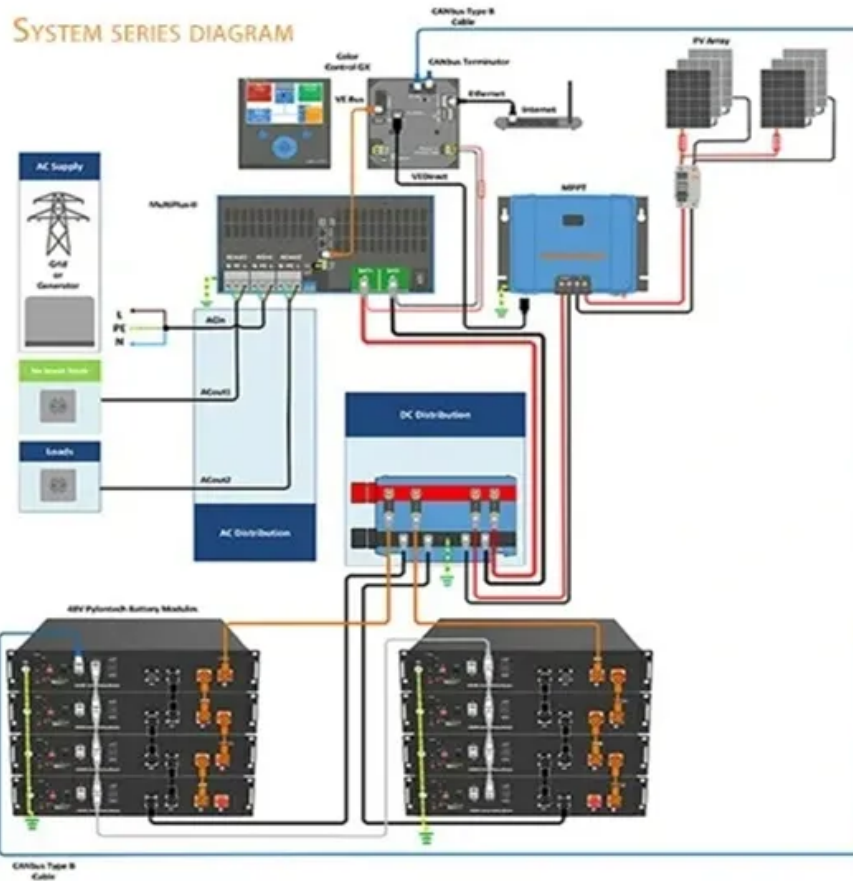


How long does a 40W integrated solar panel last



Overview

A 40-watt solar panel can last a significant duration, generally exceeding 25 years under optimal conditions, cost-effective maintenance practices play a crucial role, environmental factors, such as weather, impact longevity, and initial quality of production affects panel. A 40-watt solar panel can last a significant duration, generally exceeding 25 years under optimal conditions, cost-effective maintenance practices play a crucial role, environmental factors, such as weather, impact longevity, and initial quality of production affects panel. How long can a 40-watt solar panel last?

A 40-watt solar panel can last a significant duration, generally exceeding 25 years under optimal conditions, cost-effective maintenance practices play a crucial role, environmental factors, such as weather, impact longevity, and initial quality of. Solar panels don't suddenly shut down. They lose power gradually, year after year, until they're no longer pulling their weight. That's the real story behind solar panel lifespan. Not just how long they last, but how well they perform along the way. If you're counting on solar to deliver long-term. Solar panels are built to last, but just how long can you expect them to keep powering your home?

The average lifespan of a solar panel is 25-30 years, meaning your investment in clean energy will pay dividends for decades. 5% more electricity over 25 years compared to standard panels, often justifying the higher initial investment through extended productive life and better. You can count on most photovoltaic solar panels to last 25 years before they begin to noticeably degrade.

How long does a 40W integrated solar panel last



How Long Do Solar Panels, Inverters, and Batteries Last? A

Solar panels are the workhorses of your system, designed to last 25 to 30 years or more. Over time, they experience gradual efficiency loss, typically about 0.5% to 0.8% annually. This ...

[Get Price](#)

How Long Do Solar Panels Really Last? The Truth About Lifespan

Typically, high-quality solar panels have a degradation rate of about 0.5% per year. This means that after 20 years, a panel will still operate at around 90% of its original capacity. While solar ...

[Get Price](#)



TAX FREE 

Product Model
HJ-ESS-215A(100KW/215KWh)
HJ-ESS-115A(50KW/115KWh)

Dimensions
1600*1280*2200mm
1600*1200*2000mm

Rated Battery Capacity
215KWH/115KWH

Battery Cooling Method
Air Cooled/Liquid Cooled

ENERGY STORAGE SYSTEM



How Long Do Solar Panels Last? Complete 2025 Lifespan Guide

Quick Answer: Solar panels typically last 25-30 years with gradual performance decline, but many continue producing electricity for 40+ years. Understanding their lifespan is crucial for ...

[Get Price](#)

How Long Do Solar Panels Last?

According to a study by the National Renewable Energy Laboratory (NREL), the average degradation rate for modern solar panels is around 0.5% per year. This means that after 25 years, ...

[Get Price](#)



How Long Do Solar Panels Last? - Forbes Home

Typically, high-quality solar panels have a degradation rate of about 0.5% per year. This means that after 20 years, a panel will still operate at around 90% of its original capacity. While solar ...

[Get Price](#)

How Long Do Solar Panels Actually Last?

Most solar panel companies will provide a standard 25-year warranty for the expected life expectancy of the solar panels. After 25 years, your solar panels won't necessarily need to be replaced; however, ...

[Get Price](#)



Solar Panel Lifespan: How Many Years Do Solar Panels Last?

There are a number of ways to prolong solar panel lifespan such as regular maintenance, cleaning and repair, all of



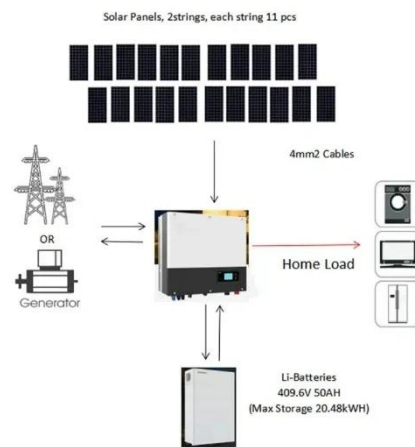
which increase their functional lifespan. The lifecycle of a solar panel ...

[Get Price](#)

How long can a 40-watt solar panel last? , NenPower

In light of the previous insights, it is clear that a 40-watt solar panel can last well over 25 years, provided it is maintained diligently. By prioritizing quality materials and professional ...

[Get Price](#)



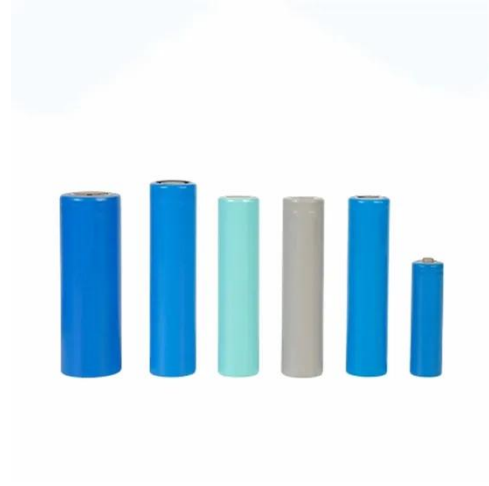
How Long Do Solar Panels Last? A Lifespan & Efficiency Guide

Solar energy is an excellent way to reduce your carbon footprint and lower electricity bills, but many people wonder, how long do solar panels last? In this guide, we'll explore the typical ...

[Get Price](#)

How Long Do Solar Panels Last?

High-quality residential solar panels can theoretically last up to 50 years, but most manufacturers warranty them for 25-30 years. That doesn't mean your panels will stop working once ...

[Get Price](#)

How Long Do Solar Panels Last? - Forbes Home

Solar panels don't suddenly shut down. They lose power gradually, year after year, until they're no longer pulling their weight. That's the real story behind solar panel lifespan. Not

[Get Price](#)

Contact Us

For catalog requests, pricing, or partnerships, please visit:
<https://k3gizycko.pl>

