

# How much power can a mobile power bank store



## How much power can a mobile power bank store



### How To Choose The Right Power Bank Capacity

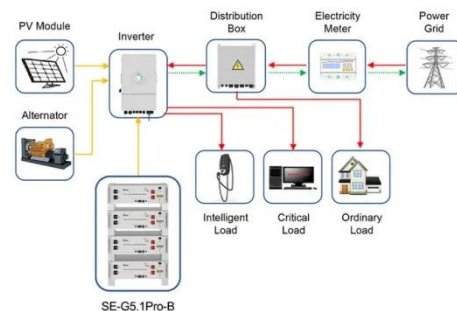
By understanding your device's battery size, estimating required charges, and accounting for real-world efficiency, you can pick among LITO's 5K, 10K, and 20K mAh models to stay powered ...

[Get Price](#)

### mAh Decoded: Your No-Nonsense Guide to Power Bank Capacity

A 20,000mAh power bank can charge a smartphone 3-5 times and even handle a tablet. This is the category we highly recommend for students, professionals, and travelers as it can easily ...

[Get Price](#)



Application scenarios of energy storage battery products



### Powerbank Capacity Explained: A Quick Guide - PowerBankGuide

Do Not Use USB-C Fast Charging Or Quickcharge Ports Often Use Good Quality Power Banks Use Quality Short Cables Use 1 Amp Or 2 Amp Regular USB Charging Ports If Not in A Hurry Quality power banks have higher efficiency of up to 95% due to optimized circuits. Such power banks can better fine-tune voltage and reduce power wasted due to heat. See more on powerbankguide techsith

## How Much Power Bank Do I Need? , Right-Size Guide

Power bank boxes often show milliamp-hours (mAh), but the energy you can use depends on voltage and losses. A handy rule is to assume 60-75% real output from the printed mAh after conversion,

...

[Get Price](#)

---

### What is the Best Capacity for a Portable Power Bank

Capacity refers to how long the power bank will power a device before needing to be recharged and is measured in milliamp-hours (mAh). This is derived from batteries and is the amount of energy ...



[Get Price](#)

---

### Power Bank Battery Capacity: What the Numbers Really Mean

Power bank a let down? This guide breaks down power bank battery capacity, providing comprehensive framework for understanding power bank capacity.

[Get Price](#)

---

### Power Bank Guide: Understanding Capacity, Safety, and Best Practices

Power bank capacity is typically measured in milliampere-hours (mAh), which indicates how much charge it can



store. A higher mAh rating means the power bank can charge devices ...

[Get Price](#)

- LiFePO<sub>4</sub> Battery, safety*
- Wide temperature: -20~55°C*
- Modular design, easy to expand*
- The heating function is optional*
- Intelligent BMS*
- Cycle Life: > 6000*
- Warranty: 10 years*



**18650** 3.7V  
Li-ion  
RECHARGEABLE BATTERY  
**2000mAh**



### Powerbank Capacity Explained: A Quick Guide - PowerBankGuide

The capacity gets reduced even more in case of wireless power banks as wireless energy transfer is very lossy. So if you are in a remote area with a wireless power bank bank, using the wired mode for ...

[Get Price](#)

### 5000mAh vs 10000mAh vs 20000mAh vs 27000mAh Power Bank ...

With enough energy for about four smartphone charges, it can keep you and a friend powered through an entire weekend trip. It's also the perfect capacity for power-hungry gadgets, ...

[Get Price](#)



### Power Bank Capacity: What You Need to Know Before You Buy

Everyone's needs are different, but if you only occasionally need to charge a



mobile phone, smartphone or a watch, a power bank with at least 10,000 mAh or 22.5 watts will meet your ...

[Get Price](#)

## How Much Power Bank Do I Need? , Right-Size Guide

Power bank boxes often show milliamp-hours (mAh), but the energy you can use depends on voltage and losses. A handy rule is to assume 60-75% real output from the printed mAh after conversion, ...



[Get Price](#)



## Power Bank Specs Decoded: mAh, Wattage & More Explained

Fast-charge capable power banks offer 18W, 30W, or even 100W outputs--the higher the wattage, the quicker your device charges. Wattage matters most for larger devices; while a phone ...

[Get Price](#)

## Contact Us

For catalog requests, pricing, or partnerships, please visit:  
<https://k3gizycko.pl>

