

# Installation of photovoltaic panel puncture gasket



## Overview

---

To install a solar energy inner gasket, follow these steps: 1. Gather necessary tools and materials, 2. Test for. In this video, let's understand how to install rubber seals between your solar panels. more. Sealing the gaps between solar panels is essential for a variety of reasons, including water resistance, anti-debris, improved wind resistance, and aesthetics. Remove old components (if applicable), 4. An elaborated point. Photovoltaic panel puncture gasket installation specification requirements and does not constitute fixing in structures do not provide favourable incentives for systems actively little which specifically relates to a PV installation.

## Installation of photovoltaic panel puncture gasket

---



### Photovoltaic bracket puncture gasket installation

The omnidirectional photovoltaic tracking bracket system is a complete set of patented solar power generation products developed and designed by Weineng Smart Energy for the

[Get Price](#)

---

### How to install the fan-shaped gasket of photovoltaic panels

A rubber gasket that fits snugly between your solar panels. The company says eliminating these gaps protects the space below your outdoor living space from sun light and rain by weather stripping

[Get Price](#)

---



### The Essential Guide to Photovoltaic Bracket Puncture Gasket

Did you know that 40% of solar bracket corrosion issues in Q1 2024 were traced to improper puncture gasket installation? As solar capacity grows exponentially, this seemingly small component has ...

[Get Price](#)

---

### How Do You Seal the Gap Between



## Solar Panels?

By using SIC Solar's installation solutions, installers can achieve professional-grade sealing and long-lasting system performance. In summary, sealing the gaps between solar panels is ...

[Get Price](#)



## Photovoltaic panel puncture gasket installation specifications

The Federal Energy Management Program (FEMP) provides this tool to federal agencies seeking to procure solar photovoltaic (PV) systems with a customizable set of technical specifications.

[Get Price](#)

## Solar Panel Seam Gasket Installation Manual

The document provides installation tips for installing a solar panel seam gasket. It details cleaning the aluminum surfaces, cutting the gasket to length, installing around mid clamps and corners, and using ...

[Get Price](#)



## How to install solar energy inner gasket , NenPower

To install a solar energy inner gasket, follow these steps: 1. Gather necessary



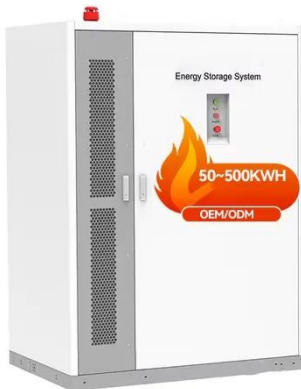
tools and materials, 2. Prepare the installation area, 3. Remove old components (if applicable), 4. Position the ...

[Get Price](#)

### Let's understand how to install rubber seals between ...

In this video, let's understand how to install rubber seals between your solar panels.

[Get Price](#)



### How to construct the photovoltaic panel puncture gasket

A solar cell (or Photovoltaic Cell) is a device that produces electric current either by chemical action or by converting light to electric current. Simply cut this EPDM gasket to length and push the gasket ...

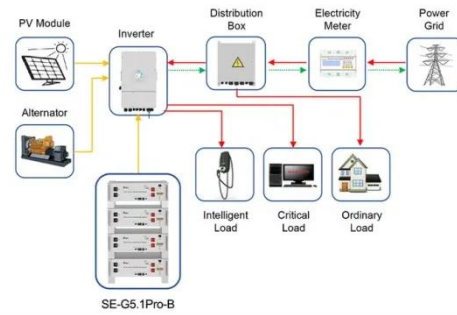
[Get Price](#)

### Seamless installation of photovoltaic panel gasket specifications

How do you install a solar panel seam gasket? Simply cut this EPDM gasket to

length and push the gasket into the 1/2-inch gap between the solar panels; no gluing, no adhesive, no mess.

[Get Price](#)



Application scenarios of energy storage battery products

## Contact Us

For catalog requests, pricing, or partnerships, please visit:  
<https://k3gizycko.pl>

