

Intelligent Italian Outdoor Energy Storage Cabinet for Power Distribution Rooms



Intelligent Italian Outdoor Energy Storage Cabinet for Power Distrib



12KW Intelligent DC Power for Base Stations & Energy Backup

This 30U thermostatic outdoor cabinet with NEMA-rated electrical enclosure is designed for telecom, solare, and power distribution systems. Constructed from high-strength galvanized steel and rated ...

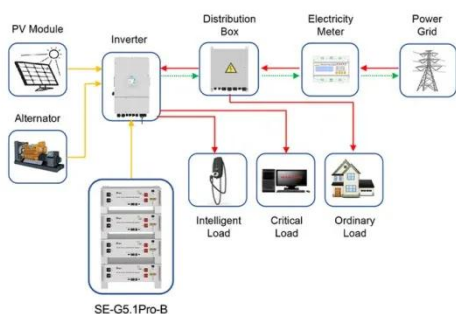
[Get Price](#)

Outdoor Energy Storage System Cabinets , EPC Energy

In-house IoT EMS hardware and software provide cost-effective solutions for managing distributed energy resources. Scalable from single asset control to complex microgrid and utility environments.



[Get Price](#)



Application scenarios of energy storage battery products

Outdoor cabinets as energy storage enclosure

Our outdoor cabinets with single doors are ideal for compact battery systems. The installation of a filter fan allows waste heat to be dissipated via the double-walled construction.

[Get Price](#)

Italian smart energy storage cabinet

model

This cabinet integrates advanced battery technology, energy management systems, and intelligent controls, achieving efficient energy storage in a compact device.

[Get Price](#)



Outdoor Cabinet Energy Storage System (Air-Cooled) - Modular ...

The ELECOD Outdoor Cabinet Energy Storage System (Air-Cooled) is a highly efficient and scalable energy storage solution, designed for use in microgrid scenarios such as commercial, industrial, and ...

[Get Price](#)

Cabinet Energy Storage System , VREMT

Standardized and scalable design for long-lasting, intelligent energy storage. Compact footprint with high single-cell energy density. Single cabinet footprint reduced by over 20%, with multi-unit scalability for ...

[Get Price](#)



Base Station Energy Cabinet

Huijue's Base Station Energy Cabinet integrates mechanical protection, intelligent power distribution, and

**SUPPORT REAL-TIME ONLINE
MONITORING OF SYSTEM STATUS**



environmental control into one compact enclosure.

[Get Price](#)

Energy Storage Outdoor Cabinets: Key Applications and Industry Trends

Outdoor energy storage cabinets have evolved from simple battery boxes to intelligent power hubs. Whether you're securing telecom networks or optimizing solar ROI, choosing the right cabinet ...

[Get Price](#)




 **Efficient Higher Revenue**

- Max. Efficiency 97.5%
- Max. PV Input Voltage 600V
- 150% Peak Output Power
- 2 MPP Trackers, 100% DC Input Oversizing
- Max. PV Input Current 15A, Compatible with High Power Modules

 **Intelligent Simple O&M**

- IP66 Protection Degree: support outdoor installation
- Smart I-V Curve Diagnosis Function: locate PV string faults accurately and automatically detect faults
- DC & AC Type II SPD: prevent lightning damage
- Battery Reverse Connection Protection

 **Flexible Abundant Configuration**

- Plug & Play, EPS Switching Under 10ms
- Compatible with Lead-acid and Lithium Batteries
- Max. 6 Units Inverters Parallel
- AFCC Function (Optional): when an arc fault is detected the inverter immediately stops operation



Italian Large Energy Storage Cabinet Model: Powering Tomorrow's ...

A sun-drenched Tuscan vineyard where Italian large energy storage cabinet models hum quietly beside solar panels, storing enough energy to power a small town's midnight pasta-making ...

[Get Price](#)

Outdoor cabinet type energy storage system

The outdoor energy storage system

supports the flexible expansion of PV capacity and simultaneous access to load, battery, grid, DG, and PV, highlighting its role tailored for small C&I energy storage ...

[Get Price](#)



Contact Us

For catalog requests, pricing, or partnerships, please visit:
<https://k3gizycko.pl>

