

Laos Electric Flywheel Energy Storage



Laos Electric Flywheel Energy Storage



Nicosia laos flywheel energy storage

A flywheel energy storage system is a device that stores energy in a rotating mass. It typically includes a flywheel/rotor, an electric machine, bearings, and power electronics. Fig. 3. The Beacon Power ...

[Get Price](#)

Flywheel Energy Storage Systems and their Applications: A ...

Flywheel energy storage systems are suitable and economical when frequent charge and discharge cycles are required. Furthermore, flywheel batteries have high power density and a ...



[Get Price](#)

Lithium battery parameters

Product capacity: 100Ah

Product size: 135*197*35mm

Product weight: 1.82kg

Product voltage: 3.2V

internal resistance: within 0.5



Flywheel energy storage laos

Among the different mechanical energy storage systems, the flywheel energy storage system (FESS) is considered suitable for commercial applications. An FESS, shown in Figure 1, is a spinning ...

[Get Price](#)

A Review of Flywheel Energy

Storage System Technologies

The operation of the electricity network has grown more complex due to the increased adoption of renewable energy resources, such as wind and solar power. Using energy storage ...

[Get Price](#)



Flywheel Energy Storage: Alternative to Battery Storage

As the energy grid evolves, storage solutions that can efficiently balance the generation and demand of renewable energy sources are critical. Flywheel energy storage systems offer a ...

[Get Price](#)

Laos Flywheel Energy Storage Market (2025-2031)

Laos Flywheel Energy Storage Market (2025-2031) , Competitive Landscape, Analysis, Trends, Value, Size & Revenue, Segmentation, Share, Companies, Growth, Outlook, Forecast, Industry

[Get Price](#)

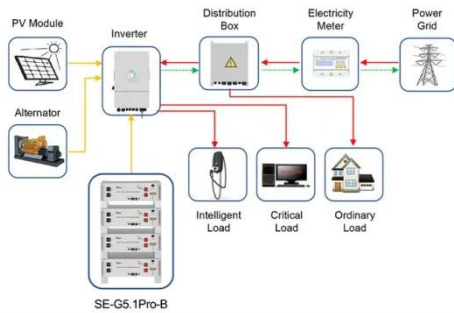


Development and prospect of flywheel energy storage ...

With the rise of new energy power generation, various energy storage methods have emerged, such as lithium battery energy storage, flywheel energy

storage (FESS), supercapacitor, ...

[Get Price](#)



Application scenarios of energy storage battery products

Technology: Flywheel Energy Storage

Summary of the storage process
Flywheel Energy Storage Systems (FESS) rely on a mechanical working principle: An electric motor is used to spin a rotor of high inertia up to 20,000 ...



[Get Price](#)



Flywheel Energy Storage Systems and Their Applications: A Review

This study gives a critical review of flywheel energy storage systems and their feasibility in various applications. Flywheel energy storage systems have gained increased popularity as a ...

[Get Price](#)

New Electrical Energy Storage Technology in Laos: Powering the ...

Why Laos Needs Advanced Energy Storage Solutions With 80% of its electricity coming from hydropower, Laos has been called "the battery of

Southeast Asia." But here's the shocker:
even ...

[Get Price](#)



Contact Us

For catalog requests, pricing, or partnerships, please visit:
<https://k3gizycko.pl>

