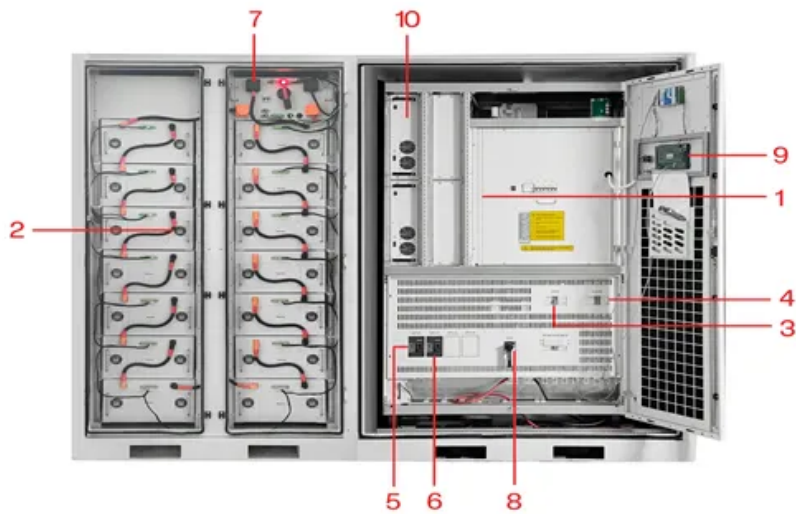


Lithium-iron-phosphate batteries lfp belarus



- | | | | |
|---|---------------------------|----|---------------------------|
| 1 | PCS Module | 6 | OPV2 side circuit breaker |
| 2 | Battery room | 7 | High Volt Box |
| 3 | Grid side circuit breaker | 8 | BAT side circuit breaker |
| 4 | Load side circuit breaker | 9 | LCD display screen |
| 5 | OPV1 side circuit breaker | 10 | MPPT |



Lithium-iron-phosphate batteries lfp belarus



LFP Battery: Why Lithium Iron Phosphate Is Taking Over EVs ...

Discover why LFP batteries are dominating EVs and solar storage. Learn about safety, longevity, cost benefits, and how they compare to other lithium-ion tech.

[Get Price](#)

What Are LFP Batteries and Why Are They Gaining Popularity?

These batteries utilize lithium-iron-phosphate cathodes, offering a unique combination of safety, durability, and cost-effectiveness. Often referred to as LFP or LiFePO4 batteries, this technology has ...



48V 100Ah

[Get Price](#)

Lithium Iron Phosphate at the Conquest of the Battery World

Herein, using LFP chemistry as an archetype, we outline the essential performance indicators for positive electrode design aimed at practical battery applications while highlighting ...



[Get Price](#)

LFP batteries explained , Electronic

Competence

Unlike conventional lithium-ion batteries, which use cobalt or nickel in the appropriate place, LFP battery cells use iron phosphate as the cathode material - an advantage that has a ...

[Get Price](#)



Lithium iron phosphate battery

Lithium iron phosphate (LiFePO₄) batteries, known for their stable operating voltage (approximately 3.2V) and high safety, have been widely used in solar lighting systems.

[Get Price](#)

lithium iron phosphate lfp batteries

In the lithium battery industry, especially for LiFePO₄ (Lithium Iron Phosphate) batteries widely used in telecom, UPS, and energy storage systems, battery lifespan is usually evaluated from two critical ...

[Get Price](#)

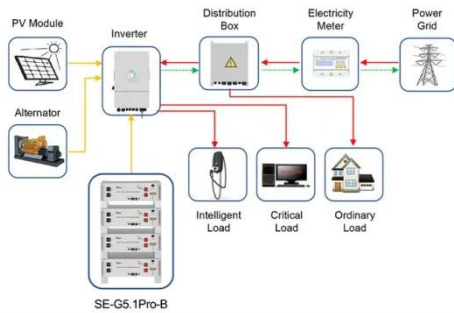


LFP Batteries: Why Top EV Makers Choose Cheaper Tech

LFP batteries use lithium iron phosphate (LiFePO₄) as the cathode material. They are highly safe, with excellent thermal stability and long cycle life. Unlike other

lithium-ion batteries, they ...

[Get Price](#)



Application scenarios of energy storage battery products

Lithium-ion Battery (LFP and NMC)

Lithium-ion can refer to a wide array of chemistries, however, it ultimately consists of a battery based on charge and discharge reactions from a lithiated metal oxide cathode and a graphite anode. Two of ...

[Get Price](#)

- LiFePO₄ Battery, safety
- Wide temperature: -20~55°C
- Modular design, easy to expand
- Wall-Mounted&Floor-Mounted
- Intelligent BMS
- Cycle Life:> 6000
- Warranty:10 years



114KWh ESS



The Ultimate Guide to Lithium Iron Phosphate Batteries

What is a Lithium Iron Phosphate (LiFePO₄) Battery? A LiFePO₄ battery is a type of rechargeable lithium-ion battery. What sets it apart is its cathode material, which is made from lithium ...

[Get Price](#)

How Do Lithium Iron Phosphate Batteries Work?

LFP batteries offer economic and ethical benefits. The raw materials, iron and phosphate, are globally abundant and less expensive, with more stable supply

chains than cobalt and nickel. ...

[Get Price](#)



Contact Us

For catalog requests, pricing, or partnerships, please visit:
<https://k3gizycko.pl>

