

Microgrid energy storage system and air conditioning



Microgrid energy storage system and air conditioning



Optimized the Microgrid Scheduling with Ice-Storage Air-Conditioning

In the face of the stochastic, fluctuating, and intermittent nature of the new energy output, which brings significant challenges to the safe and stable operation of the power system, it is ...

[Get Price](#)

Cooperative trading and optimization scheduling of multi-microgrid

Secondly, an electric-thermal coordinated scheduling strategy accounting for the synchronous response characteristics of thermal inertia is proposed, and the virtual energy storage ...



[Get Price](#)



Microgrid energy storage system and air conditioning

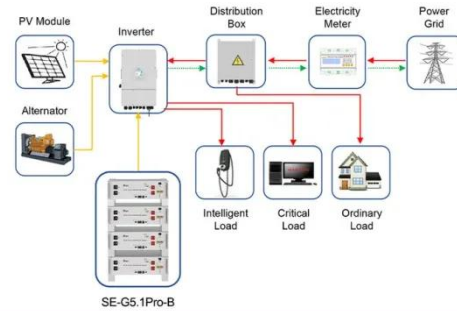
Microgrid energy storage system and air conditioning What is a microgrid energy system? Microgrids are small-scale energy systems with distributed energy resources, such as generators and storage ...

[Get Price](#)

Micro Grid Energy Storage, Energy Cabinet, Container Energy Storage

Huijue's Industrial and Commercial BESS are robust, scalable systems tailored for businesses seeking reliable energy storage. Our solutions integrate seamlessly into large-scale operations, supporting ...

[Get Price](#)



Application scenarios of energy storage battery products



Planning and optimization of a residential microgrid utilizing

This paper introduces a strategic planning and optimization framework for residential microgrids, integrating renewable energy resources and advanced energy storage systems. The ...

[Get Price](#)

Multi-Time-Scale Coordinated Scheduling of Micro-Turbine

Finally, we linearized the model into a mixed-integer linear programming (MILP) problem. [Results] Simulation results demonstrate that the system strictly followed the efficiency ...

[Get Price](#)



Optimized the Microgrid Scheduling with Ice-Storage Air-Conditioning

The example simulations show that the proposed optimal scheduling model can promote the new energy consumption



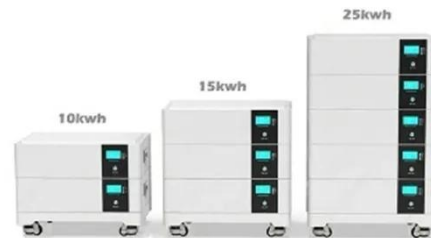
rate of the microgrid, proving that the ice-storage air-conditioning is ...

[Get Price](#)

Two-Tier Optimal Scheduling of Air-Conditioning Virtual Energy Storage

Winter air conditioning loads have strong demand response potential as one of the peak load components the study, a two-tier scheduling strategy is offered to address the demand ...

[Get Price](#)



Optimal Sizing of Battery Energy Storage System in Smart ...

Abstract--In the microgrid with high photovoltaic (PV) penetration, optimal sizing of battery energy storage system (BESS) has been a heated research topic in recent years. In the ...

[Get Price](#)

Energy management strategy for microgrids including heat ...

Abstract: The stable and economic operation of microgrids always requires the participation of hybrid energy

storage systems (HESSs). In order to reduce the capacity and ...

[Get Price](#)



Contact Us

For catalog requests, pricing, or partnerships, please visit:
<https://k3gizycko.pl>

