

Photovoltaic bracket installation safety system



Photovoltaic bracket installation safety system



Photovoltaic ground bracket installation options

The installation selection of photovoltaic ground brackets is mainly based on factors such as the fixing method of the bracket, terrain requirements, material selection, and the weather resistance, strength, ...

[Get Price](#)

Solar energy in buildings

The revised Energy Performance of Buildings Directive will speed up the uptake of solar photovoltaics and solar thermal - both on residential and non-residential buildings - and increase the possibilities ...



[Get Price](#)



What are the safety precautions for installing a photovoltaic bracket

References "Photovoltaic System Installation Guide" - General industry publication on PV system installation
"Safety Standards for Construction and Installation Work" - Government - issued safety ...

[Get Price](#)

Commission supports European

photovoltaic manufacturing ...

The charter sets out a series of voluntary actions to be undertaken to support the EU photovoltaic sector.

[Get Price](#)



Latest version of photovoltaic embedded bracket specification

A new methodology for an optimum design of ground-mounted PV power plants. The 3V & #215; 8 configuration is the best option in relation to the total energy captured. The proposed ...

[Get Price](#)

Essential Safety Protocols That Protect Every Solar PV Installation

Regular safety audits, equipment inspections, and emergency response drills should remain fundamental components of any PV installation operation. Looking ahead, the integration of ...

[Get Price](#)

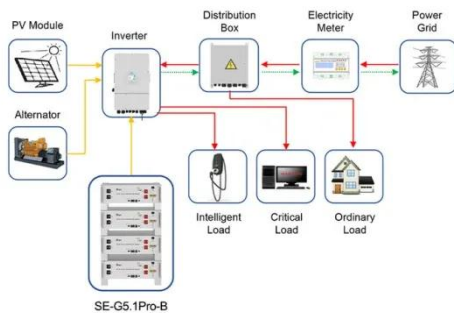


European Solar Charter

In 2023, the solar photovoltaic sector in the EU and globally saw the prices of the panels plummet from ca. 0.20 EUR/W to less than 0.12 EUR/W. This unsustainable

situation is weakening ...

[Get Price](#)



Application scenarios of energy storage battery products

In focus: Solar energy system - a shining star of Europe's clean transition

A range of solar technologies are available to harness the sun's energy in different ways. Solar photovoltaic (PV) panels, comprised of individual solar cells, convert sunlight into electricity. ...



[Get Price](#)



Guidance Method For The Installation Of PV System Brackets

By following these detailed guidelines, photovoltaic projects can ensure the successful installation and long-term performance of various types of photovoltaic system brackets.

[Get Price](#)

Necessary accessories for PV installation: brackets

A safe and economical PV support system is the focus of attention. As an important component of a PV power plant, PV supports carry the main body

of the PV power plant for power ...

[Get Price](#)



Essential Safety Practices for Designing and Installing PV ...

Step-by-step directions simplify and secure installation. This chapter describes safety practices and procedures that must be used to install PV systems. These practices protect the health ...

[Get Price](#)

Are there any specific safety requirements for photovoltaic bracket

In conclusion, photovoltaic bracket connectors play a crucial role in ensuring the safety and performance of solar PV systems. By understanding the specific safety requirements for these ...

[Get Price](#)



Photovoltaic Bracket Introduction, Installation Precautions And ...

The installation and maintenance process of the photovoltaic bracket

should follow the relevant safety specifications to ensure the personal safety of the staff. Fourth, what is the market prospect of ...

[Get Price](#)



Solar energy

In 2024, the EU output of photovoltaic electricity accounted for 11% of the EU's gross electricity output, according to Ember. Continued growth in the solar energy sector is expected in the coming decades, ...

[Get Price](#)



5 things you should know about solar energy

Solar energy is one of the world's most abundant and easily accessible sources of renewable power. But how well do you know it? Several distinct technologies harness the sun's ...

[Get Price](#)

Renewable energy targets

The targets have evolved consistently since first established to help the EU reach its ambitious energy and climate goals.

[Get Price](#)





Renewable Energy Directive

The renewable energy directive is the legal framework for the development of renewable energy across all sectors of the EU economy, and supports cooperation across EU countries.

[Get Price](#)

European Solar Charter

The European Solar Charter, signed on 15 April 2024, sets out a series of voluntary actions to be undertaken to support the EU photovoltaic sector.

[Get Price](#)



Applications



Photovoltaic standard bracket installation requirements

Many organizations have established standards that address photovoltaic (PV) system component safety, design, installation, and monitoring. Standards are norms or requirements that establish a ...

[Get Price](#)

Contact Us

For catalog requests, pricing, or partnerships, please visit:
<https://k3gizycko.pl>

