

Photovoltaic panel construction team collaboration



Overview

This article explores common challenges in team management, best practices to overcome them, and how technological tools like Ezzing Work can transform the way you manage your solar projects. [Blog » Gestión de proyectos solares » Best practices for coordinating photovoltaic installation teams](#) In the photovoltaic sector, efficiently coordinating installation teams is essential to ensure quality, meet deadlines, and maintain project profitability. From initial planning to on-site, understanding of project phases and the skillsets required for each phase. Figure 3 provides a high-level summary overview of the process, showing how groups of skillsets contribute to each project phase. Success in utility-scale solar isn't just measured in megawatts installed or panels energized—it's measured in how teams work together.

Photovoltaic panel construction team collaboration



Photovoltaic Panel Construction Teams: Key Challenges and Modern

Despite the 34% year-over-year growth in global PV installations, construction crews face unprecedented challenges. From complex terrain requirements to evolving safety protocols, what's really

...

[Get Price](#)

Photovoltaic panel collaboration plan

Our solar panel layout tool and PV design software make it easy for you to plan and optimize your solar panel installation. With advanced features and a user-friendly interface, you can



[Get Price](#)



The Crucial Role of Team Collaboration in Solar PV Projects

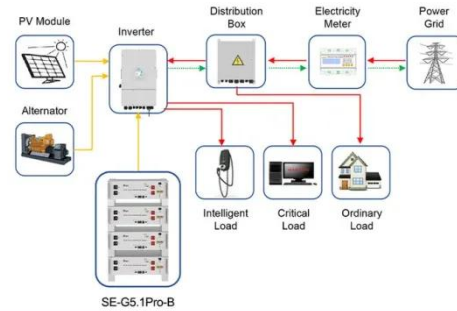
In the rapidly evolving solar energy sector, the journey from conceptualization to the realization of a Solar Photovoltaic (PV) plant demands more than just technical expertise; it necessitates a

[Get Price](#)

Revolutionize Solar Construction with All-in-One Software

Discover how an all-in-one solar platform streamlines collaboration, boosts productivity and enhances communication for solar construction projects. Learn more now!

[Get Price](#)



Application scenarios of energy storage battery products



Step-by-Step Guide to Solar EPC Project Management

Solar EPC project management involves coordinating the engineering, procurement, and construction activities needed to deliver a functional solar power system. It includes overseeing the design, acquiring the necessary ...

[Get Price](#)

Collaborating on Solar Projects: A Guide for Solar Energy Engineers

Their responsibilities include conducting site assessments, designing solar systems, and ensuring compliance with local regulations. Effective collaboration with architects, contractors, and other stakeholders is essential ...

[Get Price](#)



The Power of Collaboration: Why Solar Projects Succeed When

Success in utility-scale solar isn't just measured in megawatts installed or

panels energized--it's measured in how teams work together. From engineers and electricians to QC and logistics,

[Get Price](#)



Best practices for coordinating photovoltaic installation teams

This article explores common challenges in team management, best practices to overcome them, and how technological tools like Ezzing Work can transform the way you manage your solar projects.

[Get Price](#)



Assembling an Effective Team for Renewable Generation and ...

step before beginning the design, installation, or operation of a system. An effective team will be able to anticipate hurdles and design the system to overcome them. For example, the team should be prepared to ...

[Get Price](#)

Solar Construction Management: Powering Project Success Through ...

...

For optimal outcomes, stakeholders should engage early in the planning

process, including utility representatives, local authorities, and key project team members. This collaborative approach helps identify ...

[Get Price](#)



Contact Us

For catalog requests, pricing, or partnerships, please visit:
<https://k3gizycko.pl>

