

# Photovoltaic solar panels for rent



## Overview

---

Below we explore the top 5 solar providers for rental properties based on 5 different factors that landlords, developers, and property managers should consider when determining which type of solar provider is best for their property. New York State is making solar energy more accessible to homes, businesses, and communities through NY-Sun incentives and a network of qualified installers. Combined with declining equipment costs, New York State tax credits, and Inflation Reduction Act tax credits for commercial solar, going solar. With Solar Liberty's new residential solar leasing program, we can make that happen for you. Our innovative program is designed to give homeowners a simple, cost-effective way to switch to solar, gain energy independence, and ensure long-term savings. While renters may assume that solar power for renters is out of reach, there are practical ways to benefit from solar energy without property.

## Photovoltaic solar panels for rent

---



### Solar Panels For Apartments & Renters: Your Options

Live in an apartment or rental home? You can still go solar! Use one of these easy methods to harness clean solar power and save money in the process.

[Get Price](#)

---

### How Leasing Solar With Tesla Works , Tesla Support

Leasing with Tesla is the most affordable way to get solar and Powerwall. You make a fixed monthly payment for a system that Tesla installs, owns and services. Learn more about how it works and ...



[Get Price](#)



### Mpower Solar

When you trust Mpower Solar, you're not just getting panels. You're getting an in-house team that handles everything including design, installation, permitting, and long-term care--all under one roof.

[Get Price](#)

---

## Guide to Solar Panels for

## Apartments & Renters - Forbes Home

This article breaks down everything you need to know about how what your options are for going solar if you are a renter or live in an apartment

[Get Price](#)



## Solar Panels for Apartments: How Renters Can Go Solar

What are your options for solar apartments? We explain why solar makes sense for renters and how to go about making it happen.

[Get Price](#)

## Solar Panel Installers Near You , Green Roof & Solar Panels NYC

There are many reputable solar panel installers in New York City, and it is important to choose one with experience and a good track record. You can also ask for references and check online reviews to ...

[Get Price](#)



## NY-Sun Solar Program

Ready to go solar? Learn about incentives, financing, and tips for installing solar at residential and commercial properties.

[Get Price](#)

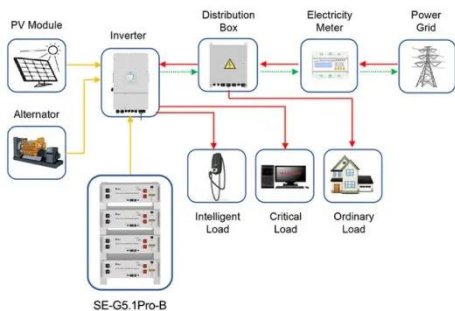


## 5 Best Solar Panel Providers For a Rental Property in 2025

Below we explore the top 5 solar providers for rental properties based on 5 different factors that landlords, developers, and property managers should consider when determining which type of solar ...



[Get Price](#)



Application scenarios of energy storage battery products

## Residential Solar Panel Leasing in New York

With Solar Liberty's new residential solar leasing program, we can make that happen for you. Our innovative program is designed to give homeowners a simple, cost-effective way to switch to solar, ...

[Get Price](#)

## Solar Energy for Rental Homes: A Guide for Tenants & Landlords

Many renters want solar power benefits. Learn how to use solar panels for rental

property and explore solar power options for renters.

[Get Price](#)



---

## Contact Us

---

For catalog requests, pricing, or partnerships, please visit:  
<https://k3gizycko.pl>

