

# Power plant with energy storage batteries



## Overview

---

carmaker Tesla's new Megafactory in Shanghai, dedicated to manufacturing its energy-storage batteries, known as Megapacks, launched production on Tuesday, marking a significant expansion of the company's presence in China. Despite the escalating trade conflicts that have intensified since the start of the Donald Trump administration, Tesla CEO Elon Musk seems unbothered. On the 20th, according to reports from Reuters and China. The six-year-old company, which builds battery packs for homeowners in California, Georgia, and Washington, said Wednesday it has completed two large funding rounds. The startup shared it raised a previously unannounced \$130 million Series C and a \$102 million Series D. Qstor™ Battery Energy Storage Systems (BESS) from Siemens Energy are engineered to meet these challenges head-on, offering a versatile, scalable, and reliable solution to energize society. What does Qstor™ bring to your. U.

## Power plant with energy storage batteries

---



### Tesla builds first battery energy storage system in China amid trade

Tesla has decided to build its first battery energy storage system (ESS) in mainland China. Despite the escalating trade conflicts that have intensified since the start of the Donald Trump ...

[Get Price](#)

---

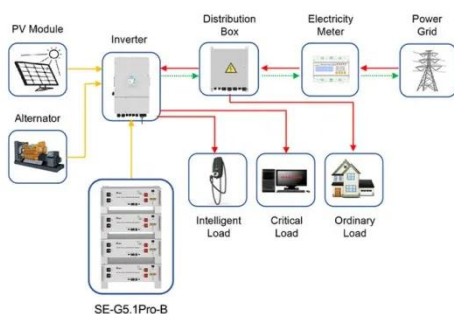
### Solar, battery storage to lead new U.S. generating capacity additions

In 2025, capacity growth from battery storage could set a record as we expect 18.2 GW of utility-scale battery storage to be added to the grid. U.S. battery storage already achieved record growth in 2024 ...



[Get Price](#)

---



Application scenarios of energy storage battery products

### Advancements in Battery Storage for Industrial Power Plants

This article explores the latest battery storage innovations, their benefits for industrial power plants, and how businesses can leverage these technologies to improve energy efficiency and ...

[Get Price](#)

---

## Lunar Energy raises \$232M to deploy home batteries that prop up the

The startup has raised more than \$500 million, to date, from investors to build a massive, distributed power plant supported by residential batteries.

[Get Price](#)



### OEM service

Hot Colors:



Color can be customized  
more questions just do not hesitate to contact us

LOGO Position: (Screen printing)



## Battery energy storage systems , BESS

Access detailed insights and technical information about Siemens Energy Qstor(TM) Battery Energy Storage Systems. From hybrid BESS to power plant storage, our downloadable resources give you ...

[Get Price](#)

## Battery energy storage in power plants

A battery energy storage system (BESS) is an electrochemical device that charges (or collects energy) from the grid or a power plant and then discharges that energy at a later time to provide electricity or ...

[Get Price](#)



## Tesla battery Megafactory in Shanghai launches production

SHANGHAI, Feb. 11 -- U.S. carmaker Tesla's new Megafactory in Shanghai,

dedicated to manufacturing its energy-storage batteries, known as Megapacks, launched production on Tuesday, marking a ...



[Get Price](#)

---

## Battery energy storage system

Since battery storage plants require no deliveries of fuel, are compact compared to generating stations and have no chimneys or large cooling systems, they can be rapidly installed and placed if ...



[Get Price](#)



---

## Texas grid shows how batteries help avoid winter blackouts

Batteries are also seen as a key tool -- they help minimize the intermittency of wind and solar power and can provide short bursts of energy when demand is peaking, especially when gas ...

[Get Price](#)

---

## Tesla to build grid-side energy storage station in Shanghai

SHANGHAI -- Tesla on Friday inked a deal with Chinese partners to build a grid-side energy storage station in Shanghai using its Megapack energy-storage batteries.

[Get Price](#)



## Contact Us

---

For catalog requests, pricing, or partnerships, please visit:  
<https://k3gizycko.pl>

