

Pristina Intelligent Photovoltaic Energy Storage Cabinet Small



Pristina Intelligent Photovoltaic Energy Storage Cabinet Small



PRISTINA INDUSTRIAL AND COMMERCIAL ENERGY STORAGE CABINET

We specialize in advanced photovoltaic energy storage solutions, providing high-efficiency battery cabinets designed for reliable, sustainable, and clean energy.

[Get Price](#)

ENERGY STORAGE SOLUTIONS FOR PRISTINA POWERING A

Photovoltaic energy storage cabinets are designed specifically to store energy generated from solar panels, integrating seamlessly with photovoltaic systems. Energy storage systems must adhere to ...

[Get Price](#)



Pristina Intelligent Photovoltaic Energy Storage Unit 1MW

Summary: The Pristina battery storage cabin offers scalable energy storage solutions for renewable integration, grid stabilization, and commercial power management.

[Get Price](#)



Pristina Smart Photovoltaic Energy

Storage Container Mobile Type

High-efficiency Mobile Solar PV Container with foldable solar panels, advanced lithium battery storage (100-500kWh) and smart energy management. Ideal for remote areas, emergency ...

[Get Price](#)



EK Photovoltaic Micro Station Energy Cabinet

Its core function is to convert renewable energy such as solar energy and wind energy into stable electricity, and realize energy storage, distribution and monitoring through intelligent energy ...

[Get Price](#)

Small smart energy cabinet

Founded in 2002, Huijue Group is a high-tech service provider integrating the integration and application of intelligent network equipment and intelligent energy storage equipment.

[Get Price](#)



Photovoltaic Micro-station Energy Cabinet

It combines different power inputs (small wind turbines, solar PV panels, and AC/DC rectifier) with an internal lithium-ion battery for backup, network

connectivity, and continuous power for communication ...

[Get Price](#)

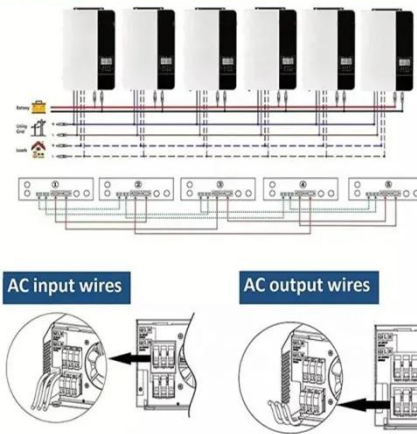


PRISTINA HOME PHOTOVOLTAIC ENERGY STORAGE SYSTEM

Containerized energy storage solutions now account for approximately 45% of all new commercial and industrial storage deployments worldwide. North America leads with 42% market share, driven by ...

[Get Price](#)

Parallel (Parallel operation up to 6 unit (only with battery connected))



AC input wires

AC output wires



Pristina Industrial and Commercial Energy Storage Cabinet: Powering

When factories face sudden blackouts or solar farms struggle with inconsistent energy supply, the Pristina Industrial and Commercial Energy Storage Cabinet becomes their silent guardian.

[Get Price](#)

The Pristina Photovoltaic Energy Storage Project: Powering a

As construction crews break ground in Pristina, one thing's clear: This photovoltaic energy storage project isn't

just about keeping lights on - it's
rewriting the rules of how cities ...

[Get Price](#)



Contact Us

For catalog requests, pricing, or partnerships, please visit:
<https://k3gizycko.pl>

