

Tutorial on connecting photovoltaic modules to inverters



Overview

In this video, we provide a detailed, step-by-step guide to help you correctly connect solar panels to an inverter and start harnessing solar power. We cover the necessary tools, safety precautions, and a thorough walkthrough of the. Meta Description: Learn how to safely connect photovoltaic inverters to power systems with this detailed guide. Discover best practices, troubleshooting tips, and industry insights for solar energy professionals. If you want to connect solar panels to an inverter, you need to. Photovoltaic (PV) inverters are crucial devices that convert the direct current (DC) generated by solar panels into alternating current (AC), which can be used by the electrical grid or household appliances. We will also explain the connection procedure for the charge controller and the battery.

Tutorial on connecting photovoltaic modules to inverters

Solar to Inverter: 3-Step Wiring & Connection Guide



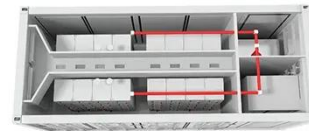
2MW / 5MWh
Customizable

Master solar to inverter wiring with our expert guide. Learn component selection, safety, and wiring techniques for a reliable PV system.

[Get Price](#)

How Do I Wire Solar Panels to an Inverter?

In this guide, we'll cover it all from simplified wiring diagrams to a thorough coverage of materials and safety procedures so that when it comes time for you to connect your solar panels to your inverter, ...



[Get Price](#)

How to Wire Solar Panels to Inverter: Complete Guide

PV panels generate DC power and an inverter changes that into usable AC electricity. In this guide, we will discuss how to wire solar panels to an inverter in simple steps.

[Get Price](#)

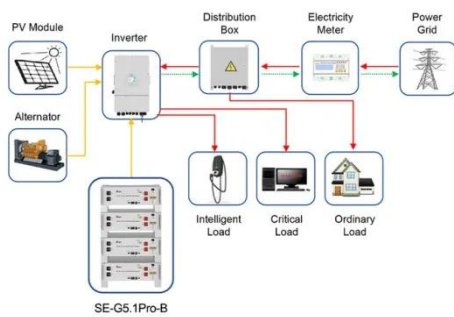


How to Connect Solar Panels to an

Inverter

In this video, we provide a detailed, step-by-step guide to help you correctly connect solar panels to an inverter and start harnessing solar power. We cover the necessary tools, safety

[Get Price](#)



Application scenarios of energy storage battery products

Photovoltaic Inverter Installation: Step-by-Step Guide for Solar Energy

Learn how to properly install and wire photovoltaic inverters for efficient solar energy systems. Our step-by-step guide covers preparation, connections, grounding, and final testing to ensure your system runs ...

[Get Price](#)

Connect Solar Panels To An Inverter: A Step-by-Step Guide

Learn how to connect solar panels to an inverter with this easy step-by-step guide.

[Get Price](#)



Step-by-Step Guide: Connecting PV Panels to an Inverter

Learn how to seamlessly connect PV panels to an inverter with our step-by-

step guide. Take advantage of solar energy in your house and do your part to ensure a sustainable future.

[Get Price](#)



How to connect the inverter and photovoltaic panels

In this guide, I will walk you through a step-by-step process to seamlessly connect your solar panels to an inverter, enabling you to fully enjoy the benefits of solar energy while contributing to a greener and more ...

[Get Price](#)



How to Connect a Photovoltaic Inverter to Power: A Step-by-Step Guide

Connecting a photovoltaic (PV) inverter to a power system is a critical step in solar energy installations. Whether you're working on residential rooftops or large-scale solar farms, proper wiring ensures efficiency ...

[Get Price](#)

How to connect solar panels to inverter and battery in 3 steps

This guide explains how to connect solar

panels to an inverter safely and effectively. We'll also discuss factors like inverter capacity to help you determine how many solar panels you can connect to your ...

[Get Price](#)



Contact Us

For catalog requests, pricing, or partnerships, please visit:
<https://k3gizycko.pl>

