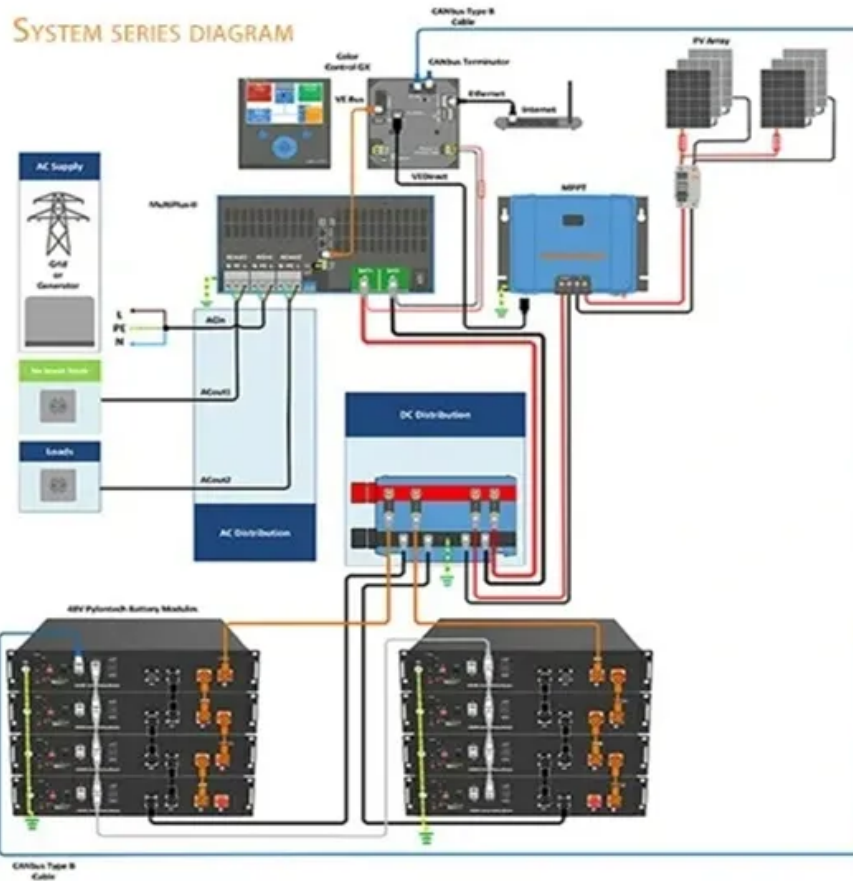


What are the DC energy storage devices in Ukraine



Overview

This project consists of six battery energy storage systems that can collectively store 400 MWh of electricity, sufficient to supply power to 600,000 homes for two hours. The systems are intended to enhance Ukraine's grid stability and resilience, especially ahead of the winter season. 11, 2025 (GLOBE NEWSWIRE) -- Fluence Energy B. (NASDAQ: FLNC) ("Fluence"), a global market leader delivering intelligent energy storage systems, services, and asset optimization software, has energised Ukraine's largest battery-based energy. Ukraine's biggest private energy firm, DTEK, has launched a major battery storage facility that will bring power to hundreds of thousands of homes and strengthen the grid ahead of expected Russian attacks this winter, the company said. "Ukraine has launched the largest energy storage system in the country — with a capacity of 200 MW — built by DTEK in. Fluence and DTEK complete Ukraine's largest battery storage project, enhancing energy stability with a capacity of 200 MW. This was reported by DTEK's press service.

What are the DC energy storage devices in Ukraine



SEAU Partner - DTEK Renewables - Commissioned the Largest Energy

DTEK Group, together with the U.S. company Fluence, a global leader in energy storage, commissioned 200 MW of capacity with a total storage volume of 400 MWh. The new facilities, ...

[Get Price](#)

DTEK launches Eastern Europe's largest battery storage system ...

Ukraine's biggest private energy firm, DTEK, has launched a major battery storage facility that will bring power to hundreds of thousands of homes and strengthen the grid ahead of expected ...



[Get Price](#)



Amid Geopolitical Challenges: Ukraine's Largest 200MW/400MWh Energy

Against the backdrop of energy transition and geopolitical challenges, Ukraine has reached a new energy milestone. DTEK, Ukraine's largest private energy company, in collaboration ...

[Get Price](#)

Fluence Energizes Ukraine's Largest Battery Energy Storage Project ...

Fluence's energy storage systems will contribute to the development of a clean and resilient energy system through increased system decentralisation and should enable Ukraine to store power ...

[Get Price](#)



DTEK and Fluence energise the largest energy storage portfolio in

The project includes six battery energy storage systems of varying capacities - from 20 to 50 MW each - connected to the Ukrainian power grid. Collectively, the systems have the capacity ...

[Get Price](#)

Ukraine's biggest battery storage project goes online

The new battery storage systems are expected to enhance the security of electricity supply and reduce the risk of outages and grid disruptions - particularly in cases where dispatchable ...

[Get Price](#)



DTEK launches Ukraine's largest energy storage facility

The energy storage facilities were installed in the Kyiv and Dnipropetrovsk regions. The DTEK project can store 400

MWh of electricity, which is enough to provide power to 600,000 ...

[Get Price](#)



DTEK selects Fluence to deliver 200 MW advanced energy storage ...

Fluence and DTEK (through its subsidiary DTEK Renewables) plan to complete the project by October 2025, so that systems are in place before the 2025/26 winter season to ...

[Get Price](#)



Ukraine unveils unique energy storage complex -- photos

A complex of energy storage systems capable of powering 600,000 homes for two hours has begun operation in Kyiv and Dnipropetrovsk Oblasts, Energy Ministry reported on Sept. 11.

[Get Price](#)

Contact Us

For catalog requests, pricing, or partnerships, please visit:
<https://k3gizycko.pl>

