

What is the abbreviation of large-capacity energy storage system



Overview

What are BESS?

BESS are systems in which batteries, either individually or more often in groups, are used in order to store electricity produced by generation plants, and make it available when needed. A battery energy storage system (BESS), battery storage power station, battery energy grid storage (BEGS) or battery grid storage is a type of energy storage technology that uses a group of batteries in the grid to store electrical energy. Battery storage is the fastest responding dispatchable. This dictionary covers terminology, definitions, and abbreviations related to battery storage and battery optimization. It can store energy in various forms, such as electrical, thermal, or mechanical. A battery energy storage system (BESS) is an electrochemical device that charges (or collects energy) from the grid or a power plant and then. What is BESS Battery Storage and why does it matter?

- GreenPowerMonitor What is BESS Battery Storage and why does it matter?

Battery Energy Storage Systems (BESS) are transforming energy management by storing electricity from renewable and conventional sources for efficient use when needed.

What is the abbreviation of large-capacity energy storage system



Grid-Scale Battery Storage: Frequently Asked Questions

A battery energy storage system (BESS) is an electrochemical device that charges (or collects energy) from the grid or a power plant and then discharges that energy at a later time to provide electricity or other grid ...

[Get Price](#)

What is BESS Battery Storage and why does it matter?

Battery Energy Storage Systems (BESS) are transforming energy management by storing electricity from renewable and conventional sources for efficient use when needed. Whether capturing ...



[Get Price](#)



BESS: Battery Energy Storage Systems

BESS are systems in which batteries, either individually or more often in groups, are used in order to store electricity produced by generation plants, and make it available when needed.

[Get Price](#)

BESS - Battery Energy Storage

System , Volvo Energy

A battery energy storage system (BESS) plays a key role in the energy landscape. As the demand for renewable energy and electrification grows, a BESS is a reliable source of power that can help reduce ...

[Get Price](#)



Battery storage definitions: a glossary of BESS terminology

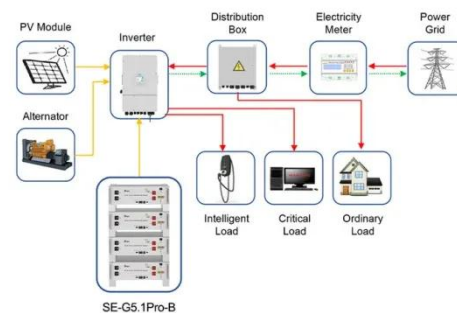
Energy system on the utility or grid side of the meter, typically power plants, wind farms or large-scale battery storage. FTM battery activities are separately metered, whereas BTM logs only total ...

[Get Price](#)

AN INTRODUCTION TO BATTERY ENERGY STORAGE ...

Critical for ongoing safety and system performance, software and digital controls help BESS operators monitor and manage the movement of electricity throughout a battery energy storage system.

[Get Price](#)



Application scenarios of energy storage battery products

Acronyms and Glossary of Common Battery Terms

are often referred to as "AGM? batteries. ANODE -- The negative electrode. It is



the part of a battery that oxidizes and sends electrons to the . athode (the positive electrode) on discharge.
 AMPERE (Amp, A) -- ...

[Get Price](#)

Key Terms and Phrases for Battery Energy Storage Systems

Battery Energy Storage Systems (BESS) - Rechargeable battery systems that can store and distribute energy from different sources, such as the grid or renewable energy sources such as wind and solar.

[Get Price](#)

ESS



Battery energy storage system

A battery energy storage system (BESS), battery storage power station, battery energy grid storage (BEGS) or battery grid storage is a type of energy storage technology that uses a group of batteries in the grid to store ...

[Get Price](#)

Battery Energy Storage Terms, Concepts & Acronyms

A Battery Energy Storage System (BESS) is an ESS that specifically uses batteries to store electrical energy. It allows for

the charging and discharging of energy as needed.

[Get Price](#)



Contact Us

For catalog requests, pricing, or partnerships, please visit:
<https://k3gizycko.pl>

