

# What is the current of 8000w power inverter



## Overview

---

The current drawn is approximately 104. Understanding how much current your inverter draws is vital for several reasons: Battery Bank Sizing: Knowing the current helps determine how many batteries you need and how long they will last. Cable Sizing: Undersized cables can. The inverter current calculation formula is a practical tool for understanding how much current an inverter will draw from its DC power source. This means it can power regular household appliances. In this article, let's. Our batteries store power in DC (Current current) but most of our household appliances require AC (Alternating current) Our batteries come in different voltages (12,24, & 48v) But AC appliances required 120 volts (because our grid power comes in 120 volts). So an inverter will convert the lower. Our line of ETL listed to UL 1741 Standards 48 Volt DC to 120/240 Volt AC inverter chargers is the power house for back up, off grid systems. Users receive a notable increase in efficiency in large systems.

## What is the current of 8000w power inverter

---



### DC TO AC POWER INVERTER PWRINV8KW12V

The AIMS Power inverter 8000 Watt inverter are the most advanced line of mobile DC to AC power systems available. AIMS also offers the 10,000 Watt in 12V, or 12,000 Watt in 24V.

[Get Price](#)

## What Will An Inverter Run & For How Long? (With Calculator)

Introduction - How Does An Inverter Work? What to Keep in Mind Before Running A Load on The Inverter What Will An Inverter Run? How Long Will A 12V Battery Last with An Inverter? How Long Will An Inverter Last on A Battery? Related Posts Our batteries store power in DC (Current current) but most of our household appliances require AC (Alternating current) Our batteries come in different voltages (12,24, & 48v) But AC appliances required 120 volts (because our grid power comes in 120 volts). So an inverter will convert the lower voltage of the battery into 120 volts in order to run See more on dotwatts AIMS Power



## 8000 watt inverter charger - 8kw 48 volt inverter - AIMS ...

Built with a 48 Volt DC input, these inverter chargers perform with very little power loss. Users receive a notable increase in efficiency in large systems when ...

[Get Price](#)

---



### **WZRELB 8000W 48V Pure Sine Inverter Review**

The WZRELB 8000W 48V Pure Sine Wave Inverter is a powerful device. It changes 48-volt direct current (DC) from batteries into 120-volt or 240-volt alternating current (AC). This means it ...

[Get Price](#)

---

### **What Will An Inverter Run & For How Long? (With Calculator)**

So I'm gonna explain to you guys in simple words about what you can run on your any size inverter and what are the key point to keep in mind. And also how long your inverter will last with ...

[Get Price](#)

---



### **8000 watt inverter charger**

Built with a 48 Volt DC input, these inverter chargers perform with very little power loss. Users receive a notable increase in efficiency in large systems when compared to using inverters that accept 12 or 24 ...

[Get Price](#)

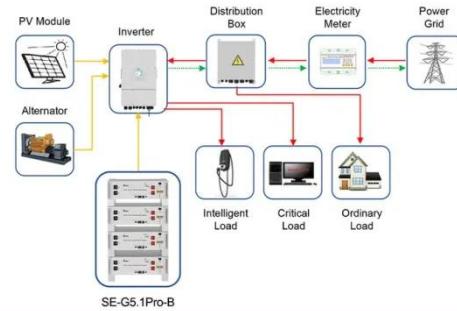
---



## Inverter Current Calculator & Formula Online Calculator Ultra

Calculating the current draw of an inverter is essential in designing and troubleshooting electrical and electronic systems. This process ensures compatibility with power sources and ...

[Get Price](#)



Application scenarios of energy storage battery products



51.2V 300AH

## Inverter Current Calculator

Click "Calculate" to find out the current the inverter will draw from the battery or DC power source. This calculated current is essential for battery selection, cable sizing, and protecting your electrical system ...

[Get Price](#)

## Inverter Amp Draw Calculator

Inverters with a greater DC-to-AC conversion efficiency (90-95%) draw fewer amps, whereas inverters with a lower efficiency (70-80%) draw more current. Note: The results may vary ...

[Get Price](#)



## 24V 8000 Watt Pure Sine Wave Inverter , inverter

A 24V 8000 watt pure sine wave inverter is a high capacity power conversion device designed to transform 24 volt direct current (DC) electricity, typically

from batteries or solar panels, into 8000  
...

[Get Price](#)



---

### 48V 8000 Watt Pure Sine Wave Inverter , inverter

A 48V 8000W pure sine wave inverter is an electronic device designed to convert 48 volt direct current. This type of sine wave inverter delivers a clean, smooth waveform. Pure sine wave power inverters ...

[Get Price](#)



---

### User's Manual 8000W Power Inverter

This power inverter converts 12 volts, direct current (12VDC) to 115 volts alternating household current (115VAC). It easily powers TV/VCR combinations, microwave ovens, refrigerators, even air ...

[Get Price](#)



---

## Contact Us

For catalog requests, pricing, or partnerships, please visit:

<https://k3gizycko.pl>

