

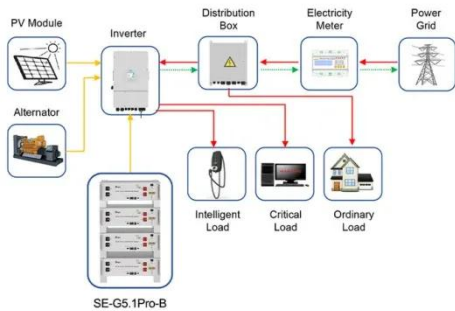
What is the patent for photovoltaic combiner box



Overview

The invention relates to a smart PV (photovoltaic) string combiner box with protection functions, for example electric contactor functions, overvoltage protection functions as well as monitoring functions. A PV string combiner box is used to bring the output of several solar strings. This application relates to the field of photovoltaic technologies, and in particular, to an inverter, a combiner box, and a photovoltaic system. a photovoltaic system generally includes a photovoltaic. Embodiments of this application disclose a design of an inverter and a design of a combiner box, to reduce maintenance costs of a photovoltaic device. a plurality of photovoltaic cell components operate together to generate power.

What is the patent for photovoltaic combiner box



Application scenarios of energy storage battery products

Understanding PV Combiner Boxes: Design, Function, Protection, and

What Is a PV Combiner Box? A combiner box is a key DC distribution device used between PV strings and the inverter. Each string consists of solar modules wired in series, and the ...

[Get Price](#)

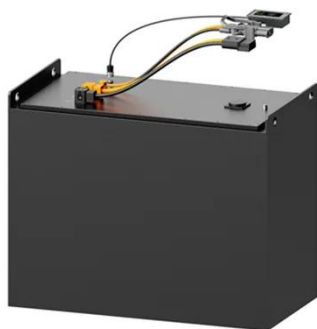
Photovoltaic power generation system, photovoltaic

The embodiments may provide a photovoltaic power generation system, a photovoltaic inverter, and a direct current combiner box, to effectively protect a photovoltaic unit and a line when



 LFP 12V 200Ah

[Get Price](#)



Photovoltaic string combiner box with protection functions

The invention relates to a smart PV (photovoltaic) string combiner box with protection functions, for example electric contactor functions, overvoltage protection functions as well as

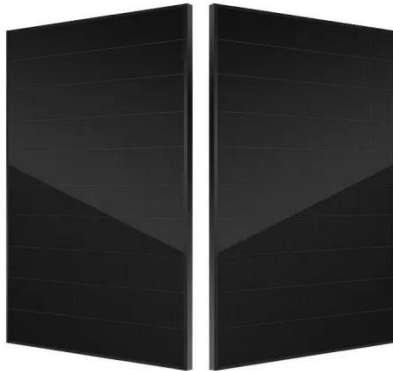
[Get Price](#)

US Patent for Inverter, combiner

box, and photovoltaic system Patent

Embodiments of this application disclose a design of an inverter and a design of a combiner box, to reduce maintenance costs of a photovoltaic device.

[Get Price](#)



Re-combiner box of photovoltaic system

In accordance with aspects of the invention, photovoltaic (PV) systems and solar installations can be simplified and made less expensive by providing a re-combiner box with a safety switch

[Get Price](#)

The Ultimate Guide to Solar Combiner Boxes: From Basics to ...

Solar combiner boxes play a vital role in various solar energy projects, facilitating the integration and management of multiple solar panel strings. Below are some notable case studies ...

[Get Price](#)



Photovoltaic combiner box monitoring system

Thus, the photovoltaic combiner box monitoring system can sample current signals from the photovoltaic combiner box by means of the current sampling

circuit and send the sampled current

✓ LIQUID/AIR COOLING

✓ INTELLIGENT INTEGRATION

✓ PROTECTION IP54/IP55

✓ BATTERY /6000 CYCLES



[Get Price](#)

WO2020099157A1

An object of the invention is to provide a photovoltaic string combiner box with protection functions to protect and safely isolate each PV string of a PV array from the combiner box and



[Get Price](#)



Solar combiner box: definition, core functions and working principle

What is a Combiner Box? A combiner box is an electrical device used in solar installations to combine the output current from multiple solar panels into a single circuit, improving system ...

[Get Price](#)

Contact Us

For catalog requests, pricing, or partnerships, please visit:
<https://k3gizycko.pl>

