

Wind power generation project query



Overview

WindWatts offers quick, approximate wind resource estimates. As of February 2026, there are 787 planned wind projects in development in the US, according to Cleanview's project tracker. Their total planned capacity is 203,744 MW. Click any of the links below to jump to. The United States Wind Turbine Database (USWTDB) provides the locations of land-based and offshore wind turbines in the United States, corresponding wind project information, and turbine technical specifications. The creation of this database was jointly funded by the U. Rocky Ridge Wind Project (GE 1. Although the country's capacity more than doubled from 2014 to 2023, most of the wind energy produced is onshore, with the offshore wind farms slowly rising. Includes meteorological conditions and turbine power for more than 126,000 sites in the continental United.

Wind power generation project query



Wind Energy , Department of Energy

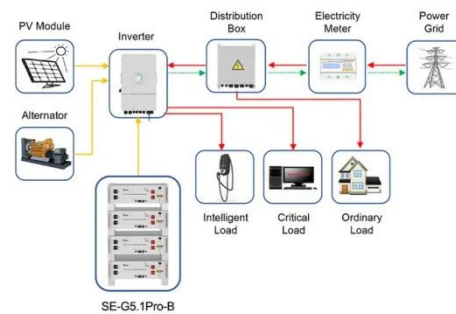
Wind power is the nation's largest source of renewable energy, with more than 150 gigawatts of wind energy installed across 42 U.S. States and Puerto Rico. These projects generate ...

[Get Price](#)

Wind Geospatial Data Tools , Geospatial Data Science , NLR

Visualizes data and analyzes the potential for wind energy. Includes meteorological conditions and turbine power for more than 126,000 sites in the continental United States.

[Get Price](#)



Application scenarios of energy storage battery products



Planned Wind Projects in the United States

On this page, you can explore our database of planned wind projects in the US. Each month, we track projects in development and update our list of the largest planned wind projects expected to come ...

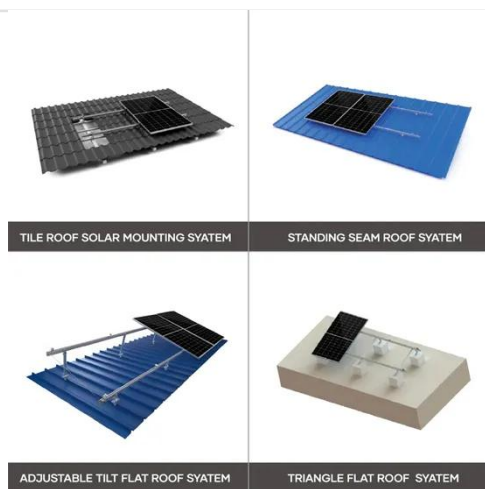
[Get Price](#)

Wind Power Plant Projects -- EIA

Power Plants Database

Explore wind energy projects across the United States. Track interconnection queue requests across US ISOs and utilities, with daily data updates. Learn what types of projects are being proposed, where, ...

[Get Price](#)



WDH: Wind Data Hub

Wind Data Hub is a resource of the Department of Energy's Wind Energy Technologies Office.

[Get Price](#)

Solar and wind to lead growth of U.S. power generation for the next

...

In our latest Short-Term Energy Outlook, we forecast that wind and solar energy will lead growth in U.S. power generation for the next two years. As a result of new solar projects coming on ...

[Get Price](#)



U.S. Wind Turbine Database

The United States Wind Turbine Database (USWTDB) provides the locations of land-based and offshore wind turbines in the United States,

corresponding wind project information, and turbine technical ...

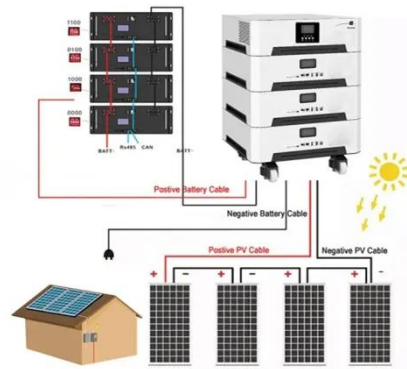
[Get Price](#)



Wind Turbine Projects , Windpower Engineering & Development

Windpower Engineering is dedicated to bringing you constant updates on wind turbine projects and wind turbine companies from across the globe.

[Get Price](#)



10 US wind energy projects starting in 2026 and beyond

Explore top U.S. wind energy projects launching from 2026, with insights on renewable trends, onshore vs offshore growth, and policy impacts on clean power.

[Get Price](#)

Wind Watts , NLR

WindWatts offers quick, approximate wind resource estimates. For more detailed or location-specific data, consider reaching out to local wind installers who may share insights from

nearby projects.

[Get Price](#)



10 US wind energy projects starting in 2026 and beyond

Wind power is the nation's largest source of renewable energy, with more than 150 gigawatts of wind energy installed across 42 U.S. States and Puerto Rico. These projects generate ...

[Get Price](#)

Contact Us

For catalog requests, pricing, or partnerships, please visit:
<https://k3gizycko.pl>

