

# Wind power market energy storage system installation



## Overview

---

If regulatory constraints prevent new turbine installations at the same site, an energy storage system can be a viable alternative. This approach leverages the existing infrastructure, reducing costs and optimizing the site. Efficient energy storage can offer both to WPP and power system generation of electricity was mostly based on fossil fuels and atomic energy. However in recent years the environmental concern and continuously growing price of energy from fossil fuels was one of the reasons for the rapid growth of. Imagine transforming a windy plain into a 200MW storage facility - here's what actually happens on the ground: 1. A recent Texas project required 14% budget reallocation after discovering migratory bird patterns. Pro tip: If you're reading this, you're probably either an energy geek with a wind turbine tattoo (no judgment) or someone who just realized wind farms without storage are like sports cars without brakes - thrilling but dangerously inefficient.

## Wind power market energy storage system installation

---



### Wind Energy Storage Systems to Ensure Reliable Power Output

Explore cutting-edge energy storage solutions for wind turbines, improving reliability and efficiency of renewable energy systems even during low wind periods.

[Get Price](#)

---

### Wind Farm Energy Storage: How to Choose & Optimize , LeforEss Guide

Integrating energy storage systems (ESS) directly with wind farms has become the critical solution. However, successful wind farm energy storage integration is far more complex than simply adding ...



[Get Price](#)

---



### Harnessing the Wind: Smart Energy Storage Solutions for a Greener ...

These pioneering projects highlight the synergies between wind power and energy storage, offering a glimpse into a future where renewable energy can be harnessed more efficiently ...

[Get Price](#)

---

## Wind Energy Storage Power Station

## Construction: Key Steps

Summary: Discover the essential phases of building wind energy storage facilities, from site selection to grid integration. Learn how modern technologies like battery systems and AI-powered monitoring are ...

[Get Price](#)



## Wind Power and Energy Storage

While energy storage is not needed to integrate wind energy with the electric grid and is often not cost-effective, having certain types of energy storage on the grid can modestly reduce the cost of ...

[Get Price](#)

## Overview of the Energy Storage Systems for Wind Power ...

Energy storage systems can be applied to the wind resource in order to provide all or some portion of the additional regulation control and spinning reserves [21].

[Get Price](#)



## Wind Farm Energy Storage System Installation: The Future-Proof ...

Let's cut through the jargon: energy storage isn't just about saving extra power - it's about making renewable energy reliable enough to power

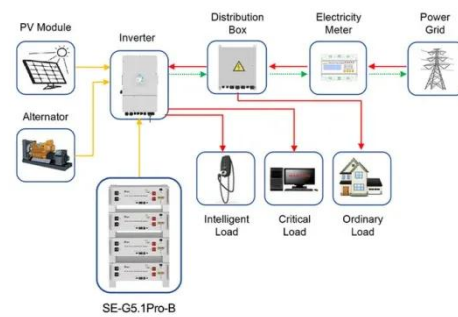


hospitals during monsoons.

[Get Price](#)




### The future of wind energy: Efficient energy storage for wind turbines

Since wind conditions are not constant, it is crucial to develop hybrid power plants that combine wind energy with storage systems. These technologies allow wind turbines to be directly ...



Application scenarios of energy storage battery products

[Get Price](#)

 **TAX FREE**    


## ENERGY STORAGE SYSTEM

**Product Model**  
HJ-ESS-215A(100KW/215KWh)  
HJ-ESS-115A(50KW 115KWh)

**Dimensions**  
1600\*1280\*2200mm  
1600\*1200\*2000mm

**Rated Battery Capacity**  
215KWH/115KWH

**Battery Cooling Method**  
Air Cooled/Liquid Cooled



### A comprehensive review of wind power integration and energy storage

Integrating wind power with energy storage technologies is crucial for frequency regulation in modern power systems, ensuring the reliable and cost-effective operation of power ...

[Get Price](#)

## STORAGE FOR POWER SYSTEMS

Growing levels of wind and solar power increase the need for flexibility and grid services across different time scales in the power system. There are many

sources of flexibility and grid services:  
energy ...

[Get Price](#)



---

## Contact Us

For catalog requests, pricing, or partnerships, please visit:  
<https://k3gizycko.pl>

