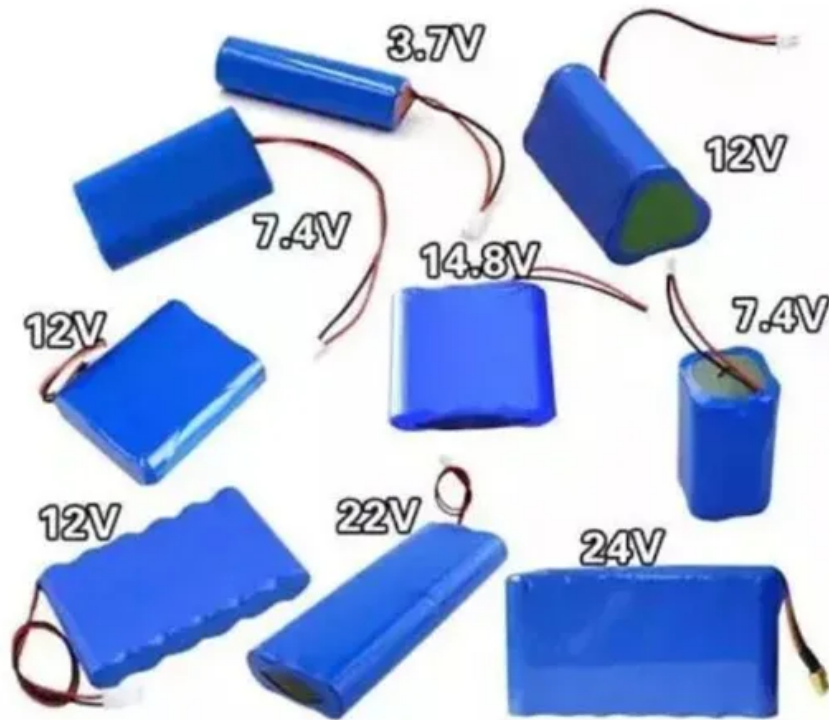


Yanglinzhai Solar Power Plant



Overview

This hydro-solar hybrid power plant has a total installed capacity of 1 GW. The plant was connected to the grid in June 2023 and has an annual energy yield of 2 billion kWh, enough to power one million households. The plant fully considers the needs of the local animal husbandry. The Kela PV Power Plant is located in the Yalong River Basin in China's Sichuan Province, at an altitude ranging from 4,000 to 4,600 meters. Constructed by Yalong River Hydropower Development, also known as Yalong Hydro, the Kela station aims to expand the renewable energy capacity of the Yalong River basin and. With installation of 523. Originating from Bayan Har Mountains. In the province of Sichuan in western China, Huawei helped Yalong Hydro build the first phase of the Kela PV Plant.

Yanglinzhai Solar Power Plant



China's Yalong Hydro Starts Building Sichuan's Largest New Energy ...

The plant, which will be fully connected to the grid in 2025, is part of the Yalong River Basin Clean Energy Base, one of China's nine clean energy hubs. Once fully operational, the base ...

[Get Price](#)

China Unveils World's Largest Hybrid Solar-Hydropower Plant

By combining the flexibility and storage capabilities of hydropower with the intermittent nature of solar energy, these hybrid projects ensure round-the-clock electricity supply, guaranteeing ...



[Get Price](#)



World's Largest Hydro-Solar Plant to Ensure Power to China's ...

After the Kela plant goes into full operation, Yalong Hydro, as the largest power generation firm in Sichuan, will have an installed capacity of more than 20 million kW, accounting for ...

[Get Price](#)

Kela PV Plant Phase 1, Yalong River

With an enhanced installed capacity of 1 million kilowatts, the Kela PV Power Plant features more than 2 million PV modules and connects to the Lianghekou Hydropower Plant through a 500-kV ...

[Get Price](#)



ESS



World's largest hydro-solar power plant enters full operation in China

After overcoming the challenges of building at high altitudes with low oxygen levels, the newly-designed hydro-solar power plant entered full operations on Sunday, and is said to be the

[Get Price](#)

Light Up the Land Where Solar and Hydro Meet at the World's Largest

On a snowy mountain at an altitude of 4600 meters in western Sichuan, rows of blue PV panels are generating electricity from solar energy, while the Yalong River is roaring in the distance. ...

[Get Price](#)



Yalong Hydro's 1-GW Hydro-solar Hybrid Power Plant

This hydro-solar hybrid power plant has a total installed capacity of 1 GW. The plant was connected to the grid in June 2023 and has an annual energy yield of



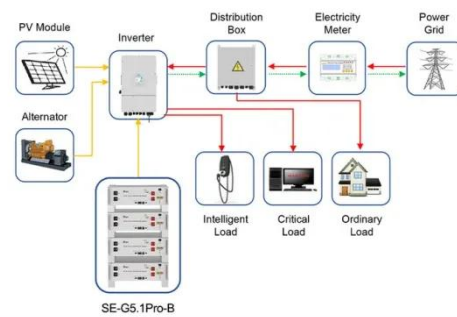
2 billion kWh, enough to power one million ...

[Get Price](#)

Success Stories-Kela PV Power Station, Yalong River-FusionSolar

With an enhanced installed capacity of 1 million kilowatts, the Kela PV Power Plant features more than 2 million PV modules and connects to the Lianghekou Hydropower Plant through a 500-kV ...

[Get Price](#)



Application scenarios of energy storage battery products



China Kela 1000MW Hydro-solar Complementary Power Plant

With large proportion of Astronergy PV modules, the power plant could help to reduce the use of 600,000 tons of standard coal annually and reduce carbon dioxide emissions by more than 1.6 ...

[Get Price](#)

Contact Us

For catalog requests, pricing, or partnerships, please visit:
<https://k3gizycko.pl>

